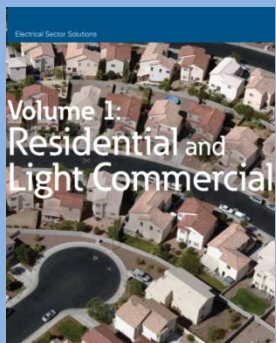


Residential Quick Reference Guide



Frequently used residential products available from distributor stock

This residential guide will allow you to identify part numbers for the most commonly stocked products below:



- ❖ CH Loadcenters & breakers (p. 1-4)
- ❖ BR Loadcenters and breakers (p. 5-8)
- ❖ Accessories & surge (p. 9)
- ❖ UL Classified breakers (p. 10)
- ❖ AC disconnects (p. 11)
- ❖ Metering (p. 11)

Created for our Michigan channel partners, Oct 2018
Eaton.com/plugonneutral

CH Loadcenters - Indoor

120/240V, Single Phase

Main Breaker

Amps	Circuits	Catalog Number	CH Cover	
			Flush	Surface
100	14	CHP14B100X1	CHPX1AF	CHPX1AS
100	18	CHP18B100X2	CHPX2AF	CHPX2AS
100	22	CHP22B100X2	CHPX2AF	CHPX2AS
100	30	CHP30B100X5	CHPX5AF	CHPX5AS
125	22	CHP22B125X2	CHPX2AF	CHPX2AS
125	30	CHP30B125X5	CHPX5AF	CHPX5AS
150	24	CHP24B150X5	CHPX5BF	CHPX5BS
150	32	CHP32B150X6	CHPX6BF	CHPX6BS
200	24	CHP24B200X5	CHPX5BF	CHPX5BS
200	32	CHP32B200X6	CHPX6BF	CHPX6BS
200	42	CHP42B200X7	CHPX7BF	CHPX7BS
200	60	CHP60B200X9	CHPX9BF	CHPX9BS
225	32	CHP32B225X6	CHPX6BF	CHPX6BS
225	42	CHP42B225X7	CHPX7BF	CHPX7BS
225	60	CHP60B225X9	CHPX9BF	CHPX9BS

120/240V, Single Phase

Main Lug Only

Amps	Circuits	Catalog Number	CH Cover	
			Flush	Surface
125	12	CHP12L125X0	CHPX0AF	CHPX0AS
125	16	CHP16L125X1	CHPX1AF	CHPX1AS
125	20	CHP20L125X2	CHPX2AF	CHPX2AS
125	24	CHP24L125X2	CHPX2AF	CHPX2AS
150	24	CHP24L150X5	CHPX5LF	CHPX5LS
150	32	CHP32L150X5	CHPX5LF	CHPX5LS
200	16	CHP16L200X5	CHPX5LF	CHPX5LS
225	24	CHP24L225X5	CHPX5LF	CHPX5LS
225	32	CHP32L225X5	CHPX5LF	CHPX5LS
225	42	CHP42L225X6	CHPX6LF	CHPX6LS

Directory Part#: CHMS

120/240V, Single Phase

Convertible (main breaker/main lug)

Amps	Circuits	Catalog Number	CH Cover	
			Flush	Surface
125	22	CHP22N125X2	CHPX2AF	CHPX2AS
225	32	CHP32E225X6	CHPX6NF	CHPX6NS
225	32	CHP32N225X6	CHPX6NF	CHPX6NS
225	42	CHP42E225X7	CHPX7NF	CHPX7NS
225	42	CHP42N225X7	CHPX7NF	CHPX7NS
225	60	CHP60E225X9	CHPX9NF	CHPX9NS

"E" = main lugs installed

CH Valuepack Loadcenters

120/240V, Single Phase

Main Breaker

Amps	Circuits	Breaker Mix	Catalog Number
100	22	(2) CHF120 & (1) CHF230	CHP22B100V29
200	42	(2) CHF120 & (1) CHF230	CHP42B200V29



CH Plug-On Neutral

CH Breakers

CH Flag Thermal Magnetic Breakers 10 kAIC

Amps	Single Pole	Two Pole	Three Pole
10	CHF110	CHF210	CH310
15	CHF115	CHF215	CH315
20	CHF120	CHF220	CH320
25	CHF125	CHF225	CH325
30	CHF130	CHF230	CH330
35	CHF135	CHF235	CH335
40	CHF140	CHF240	CH340
45	CHF145	CHF245	CH345
50	CHF150	CHF250	CH350
55	-	-	-
60	CH160	CH260	CH360
70	CH170	CH270	CH370
80	-	CH280	CH3080
90	-	CH290	CH3090
100	-	CH2100	CH3100
110	-	CH2110	-
125	-	CH2125	-

CH Tandem Breakers 10 kAIC

Amps	Single Pole
15-15	CHT1515
15-20	CHT1520
15-20	CHT2020

CH Surge Breaker Breaker Plus Whole Home Surge Nominal discharge 10 kA, SCC 36 kA

Amps	Two Pole
30	CH230SUR
50	CH250SUR

CH Flag Arc Fault Breakers 10 kAIC

Amps	Plug-On Neutral	Pigtail Neutral
15	CHFP115AF	CHFN115AF
20	CHFP120AF	CHFN120AF

CH Flag Ground Fault Breakers 10 kAIC, 5mA

Amps	Plug-On Neutral	Pigtail Neutral	Pigtail 2-pole
15	CHFP115GF	CHFN115GF	CHN215GF
20	CHFP120GF	CHFN120GF	CHN220GF
25	-	CHFN125GF	CHN225GF
30	-	CHFN130GF	CHN230GF
40	-	-	CHN240GF
50	-	-	CHN250GF
60	-	-	CHN260GF

CH Flag Dual Function Breakers Ground Fault & Arc Fault 10 kAIC

Amps	Plug-On Neutral	Pigtail Neutral
15	CHFP115DF	CHFN115DF
20	CHFP120DF	CHFN120DF



CH Flag Thermal Mag



CH Flag Plug-On Neutral
Arc Fault



CH Flag Plug-On Neutral
Dual Purpose

CH Loadcenters - Outdoor NEMA 3R

120/240V, Single Phase

Main Breaker

Amps	# of Circuits	#4-300 feed-thru lugs	Catalog Number
100	14		CHP14B100R
100	18		CHP18B100R
100	22		CHP22B100R
100	30		CHP30B100R
125	22		CHP22B125R
125	30		CHP30B125R
150	24		CHP24B150R
150	32		CHP32B150R
200	8	X	CHP08B200RF
200	24		CHP24B200R
200	32		CHP32B200R
200	42		CHP42B200R
225	32		CHP32B225R
225	42		CHP42B225R

**CH outdoor loadcenters come with cover included

120/240V, Single Phase

Convertible (main breaker/main lug)

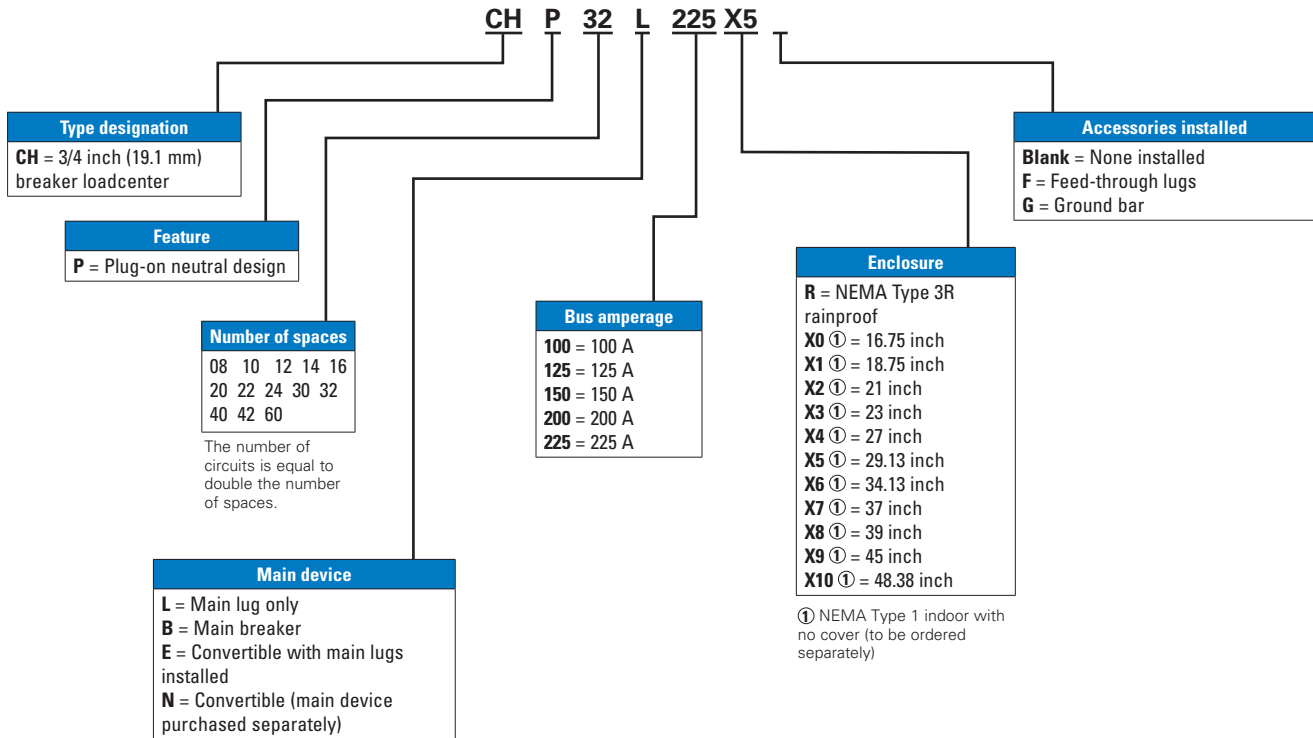
Amps	# of Circuits	#4-300 feed-thru lugs	Catalog Number
125	22		CHP22N125R
200	8	X	CHP08N200RF
200	32		CHP32N200R
225	42		CHP42N225R

120/240V, Single Phase

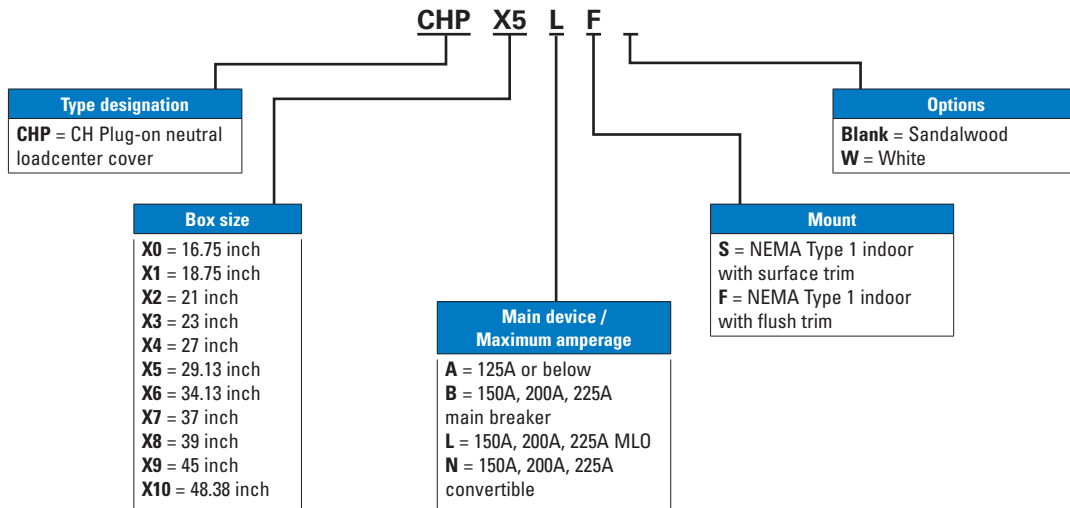
Main Lug Only

Amps	# of Circuits	Catalog Number
125	12	CHP12L125R
125	16	CHP16L125R
125	20	CHP20L125R
125	24	CHP24L125R
150	24	CHP24L150R
150	32	CHP32L150R
200	12	CHP12L200R
200	16	CHP16L200R
225	24	CHP24L225R
225	32	CHP32L225R
225	42	CHP42L225R

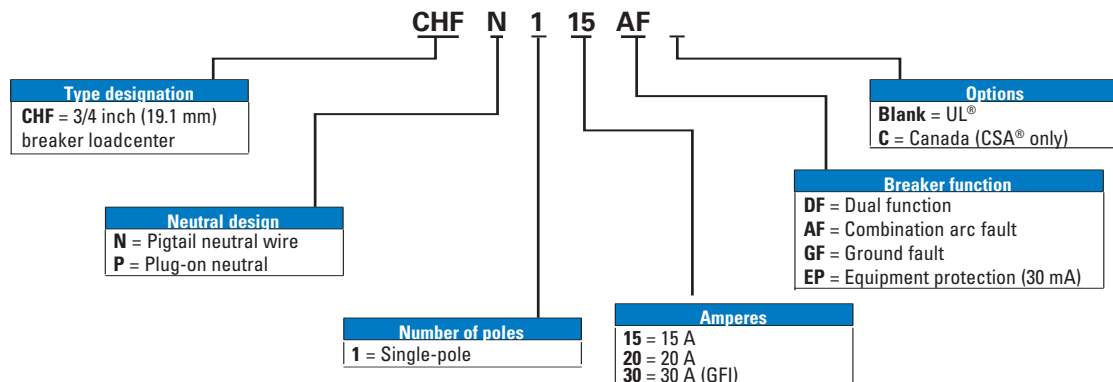
CH Plug-on neutral loadcenters



CH Plug-on neutral loadcenter covers



CHF Electronic circuit breakers*



Note: *The CH electronic breaker catalog numbers are not changing until 2019. In the meantime, the current CH pigtail and PON breaker catalog numbers can be purchased.

BR Loadcenters - Indoor

120/240V, Single Phase

Main Breaker

Amps	# of Circuits	Ground Bar	Copper Bus	Catalog Number
100	10			BRP10B100
100	12			BRP12B100
100	16			BRP16B100
100	20			BRP20B100
100	20		Y	BRP20BC100
100	30			BRP30B100
100	30		Y	BRP30BC100
125	16			BRP16B125
125	20			BRP20B125
125	30			BRP30B125
125	30		Y	BRP30BC125
150	16			BRP16B150
150	20			BRP20B150
150	24			BRP24B150
150	30			BRP30B150
150	30		Y	BRP30BC150
200	16			BRP16B200
200	20			BRP20B200
200	20		Y	BRP20BC200
200	24			BRP24B200
200	30			BRP30B200
200	30	Y		BRP30B200G
200	30		Y	BRP30BC200
200	40			BRP40B200
200	40		Y	BRP40BC200
200	60			BRP60B200
225	42		Y	BRP42BC225

120/240V, Single Phase

Convertible (main breaker/main lug)

Amps	# of Circuits	Ground Bar	Copper Bus	Catalog Number
125	12			BRP12N125
125	12	Y		BRP12N125G
125	12		Y	BRP12NC125
125	16			BRP16N125
125	20			BRP20N125
125	20		Y	BRP20NC125
200	12			BRP12N200
200	16			BRP16N200
200	20			BRP20N200
200	20	Y		BRP20N200G
200	20		Y	BRP20NC200
200	30	Y		BRP30E200G
200	30			BRP30N200
200	30	Y		BRP30N200G
200	30		Y	BRP30NC200
200	40	Y		BRP40E200G
200	40			BRP40N200
200	40	Y		BRP40N200G
200	40		Y	BRP40NC200
200	60			BRP60E200

"E" = main lugs installed

120/240V, Single Phase

Main Lug Only

Amps	# of Circuits	Ground Bar	Copper Bus	Catalog Number
125	12			BRP12L125
125	12	Y		BRP12L125G
125	12	Y - 2X		BRP12L125DG
125	16			BRP16L125
125	16	Y		BRP16L125G
125	20			BRP20L125
125	20	Y		BRP20L125G
125	24			BRP24L125
125	24	Y		BRP24L125G
125	30			BRP30L125
150	16			BRP16L150
150	20			BRP20L150
150	20	Y		BRP20L150G
200	20			BRP20L200
200	20	Y		BRP20L200G
200	24			BRP24L200
200	30			BRP30L200
200	30	Y		BRP30L200G
200	40			BRP40L200
200	40	Y		BRP40L200G
225	42		Y	BRP42LC225
225	42	Y	Y	BRP42LC225G

Directory Part #: BRMS



BR Plug-On Neutral

BR Valuepack Loadcenters

120/240V, Single Phase

Main Breaker

Amps	Circuits	Breaker Mix	Catalog Number
100	20	(2) BR120 & (1) BR230	BRP20B100V25
100	30	(2) BR120 & (1) BR230	BRP30B100V25
150	30	(2) BR120 & (1) BR230	BRP30B150V25
200	30	(2) BR120 & (1) BR230	BRP30B200V25
200	40	(2) BR120 & (1) BR230	BRP40B200V25

BR Valuepack Loadcenters

120/240V, Single Phase

Main Lug Only

Amps	Circuits	Breaker Mix	Catalog Number
125	12	(2) BR120	BRP12L125V24
200	30	(2) BR120 & (1) BR230	BRP30L200V25

BR Breakers

BR Thermal Magnetic Breakers 10 kAIC

Amps	Single Pole	Two Pole	Three Pole
10	BR110	BR210	BR310
15	BR115	BR215	BR315
20	BR120	BR220	BR320
25	BR125	BR225	BR325
30	BR130	BR230	BR330
35	BR135	BR235	BR335
40	BR140	BR240	BR340
45	-	BR245	BR345
50	BR150	BR250	BR350
55	-	BR255	BR355
60	BR160	BR260	BR360
70	BR170	BR270	BR370
80	-	BR280	BR380
90	-	BR290	BR390
100	-	BR2100	BR3100
110	-	BR2110	-
125	-	BR2125	-
150	-	BR2150	-

BR Tandem Breakers 10 kAIC

Amps	Single Pole
15-15	BR1515
15-20	BR1520
20-20	BR2020

BR Surge Breaker Breaker Plus Whole Home Surge Nominal discharge 10 kA, SCC 36 kA

Amps	Two Pole
30	BR230SUR
50	BR250SUR

BR Arc Fault Breakers 10 kAIC

Amps	Plug-On Neutral	Pigtail Neutral
15	BRP115AF	BRN115AF
20	BRP120AF	BRN120AF

BR Ground Fault Breakers 10 kAIC, 5mA

Amps	Plug-On Neutral	Pigtail Neutral	Pigtail 2-pole
15	BRP115GF	BRN115GF	GFTCB215
20	BRP120GF	BRN120GF	GFTCB220
25	BRP125GF	BRN125GF	GFTCB225
30	BRP130GF	BRN130GF	GFTCB230
40	-	-	GFTCB240
50	-	-	GFTCB250
60	-	-	GFTCB260

BR Dual Function Breakers Ground Fault & Arc Fault 10 kAIC

Amps	Plug-On Neutral	Pigtail Neutral
15	BRP115DF	BRN115DF
20	BRP120DF	BRN120DF



BR Thermal Mag



BR Plug-On Neutral
Dual Purpose



BR Plug-On Neutral
Arc Fault

BR Loadcenters - Outdoor NEMA 3R

120/240V, Single Phase

Main Breaker

Amps	Circuits	Feed Thru Lugs	Catalog Number
100	10	Y	BRP10B100RF
100	12		BRP12B100R
100	16		BRP16B100R
100	20		BRP20B100R
125	20		BRP20B125R
150	8	Y	BRP08B150RF
150	20		BRP20B150R
150	30		BRP30B150R
200	8	Y	BRP08B200RF
200	20		BRP20B200R
200	30		BRP30B200R
200	40		BRP40B200R
200	60		BRP60B200R

120/240V, Single Phase

Main Lug Only

Amps	Circuits	Catalog Number
125	12	BRP12L125R
125	16	BRP16L125R
125	20	BRP20L125R
200	12	BRP12L200R
200	20	BRP20L200R
200	30	BRP30L200R
200	40	BRP40L200R

BR Valuepack Loadcenters

120/240V, Single Phase

Main Breaker

Amps	Circuits	Breaker Mix	Catalog Number
100	12	(2) BR120 & (1) BR230	BRP12B100RV25
100	20	(2) BR120 & (1) BR230	BRP20B100RV25
200	30	(2) BR120 & (1) BR230	BRP30B200RV25

120/240V, Single Phase

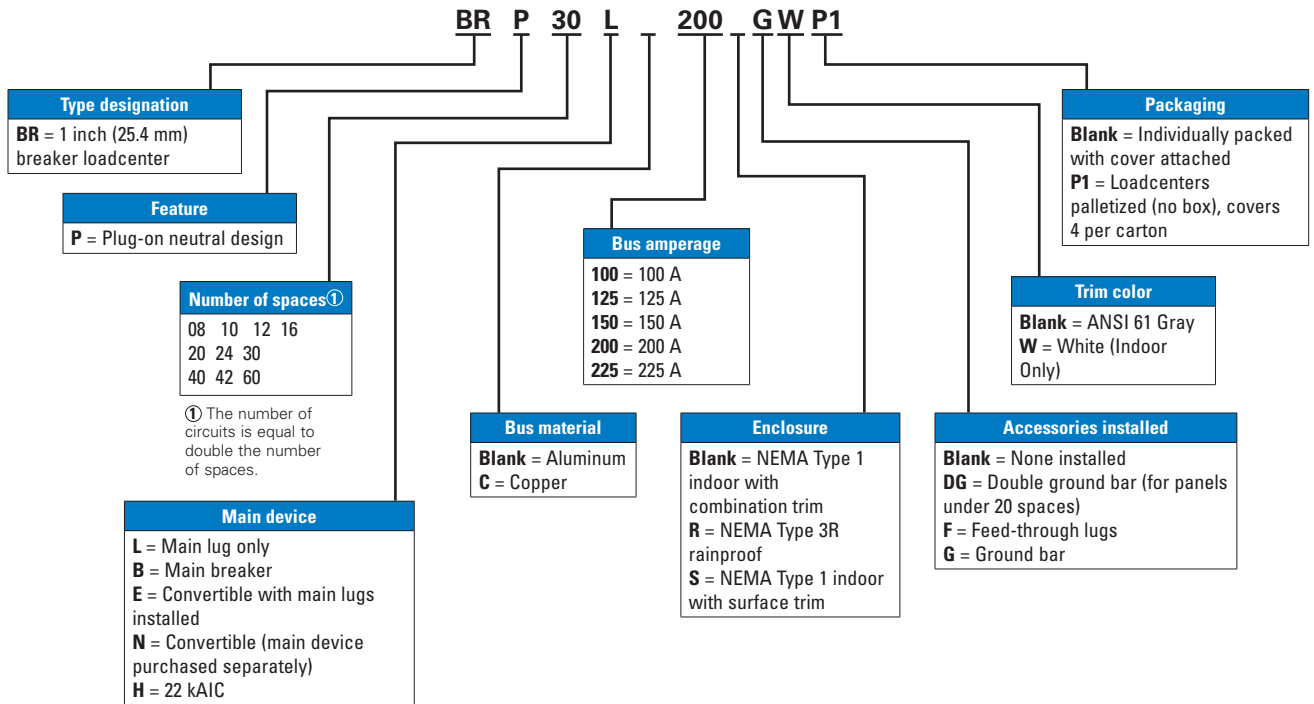
Convertible (main breaker/main lug)

Amps	Circuits	Ground Bar	Copper Bus	Feed Thru Lugs	Catalog Number
125	12				BRP12N125R
125	12		Y		BRP12NC125R
125	16				BRP16N125R
125	20				BRP20N125R
125	20		Y		BRP20NC125R
200	8			Y	BRP08E200RF
200	12				BRP12N200R
200	20				BRP20N200R
200	20	Y			NRP20N200RG
200	20		Y		BRP20NC200R
200	30				BRP30N200R
200	30	Y			BRP30N200RG
200	30		Y		BRP30NC200R
200	40				BRP40N200R
200	40	Y			BRP40N200RG
200	40		Y		BRP40NC200R

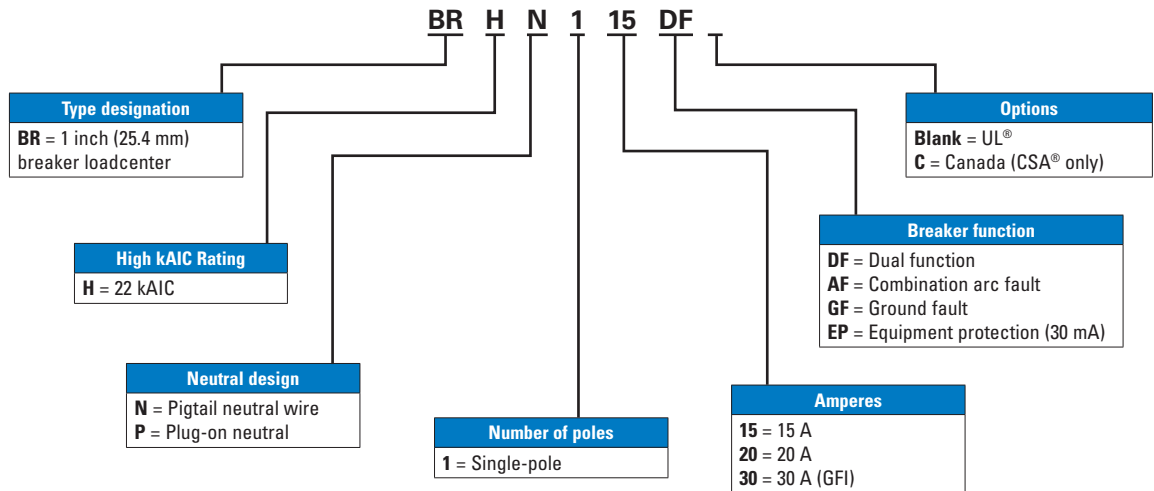
"E" = main lugs installed

Plug-On Neutral (PON) Offering

BR plug-on neutral loadcenters



BR Electronic circuit breakers



Powering Business Worldwide

CH/BR Loadcenter & Breaker Accessories

Description	Plug-On Neutral Loadcenter	Old-Style Loadcenter
LATCH, INDOOR WHITE	LATCHPW	52-3125-6
HOLD DOWN KIT FOR 2 POLE BR BRKR	BRPHD	BREQS125
HOLD DOWN KIT FOR 2 POLE BR BRKR	BRPHD	BRHDB
HOLD DOWN KIT FOR 2 POLE BR BRKR	BRPHD	BRHDK125
LATCH, INDOOR GRAY	LATCHPG	BRRL
BONDING KIT (SCREW AND INSTRUCTIONS)	BONDKITP	BSSUSE
HOLD DOWN KIT FOR 2 POLE CH BRKR	CHPHD	CH125RB
10 TERMINAL GROUND BAR KIT	GBKP10	GBK10
5 TERMINAL GROUND BAR KIT	GBKP5	GBK5
14 TERMINAL GROUND BAR KIT	GBKP14	GBK14
GROUND BAR KIT - 21 TERMINAL + (1) 2/0 LUG	GBKP2120	GBK2120
21 TERMINAL GROUND BAR KIT	GBKP21	GBK21
GROUND BAR KIT - 14 TERMINAL + (1) 2/0 LUG	GBKP1420	GBK1420
GROUND BAR KIT - 10 TERMINAL + (1) 2/0 LUG	GBKP1020	GBK1020
225A/2P SUBFEED LUG BLOCK - #2-300KCMIL	BRPSF225	BRS225
5 TERMINAL - GROUND BAR KIT	GBKP520	GBK520
5 TERMINAL GROUND BAR (INDIVIDUALLY PACKAGED)	GBKP5P	GBK5P
MAIN LUG KIT - 200A BR	BRPL200	BRL200
14 TERMINAL GROUND BAR (INDIVIDUALLY PACKAGED)	GBKP14P	GBK14P
10 TERMINAL GROUND BAR (INDIVIDUALLY PACKAGED)	GBKP10P	GBK10P
GROUND BAR KIT (CONSUMER)	GBKP21P	GBK21P
BR MECHANICAL INTERLOCK CSR	BRPMIKCSR	BRMIKCSR
BR MECHANICAL INTERLOCK BACKFED	BRPMIKBR	BRMIKBR
HOLD DOWN SCREW FOR 2 POLE TYPE BJ IN BR PON LOADCENTER	BRPHDBJ	BJHDS
FILLER PLATE 200A CSR MAIN (GRAY)	CSRFPG	BWFP
AUXILIARY GUTTER ENCLOSURE	BRPGUTTER	BRGUTTER
SUB FEED LUG BLOCK 125A 2 POLE TYPE CH 1/0 MAX WIRE SIZE	CHSF2125	CHL125N
225A MAIN LUG KIT FOR CH PON CONVERTIBLE LC #4-300KCMIL	CHPL225	CHL225N
LATCH FOR CH LOADCENTERS	LATCHPS	CHRLS
CSR MAIN BREAKER FILLER PLATE	CSRFPS	-
CH BREAKER RETAINER BRACKET FOR BACKFED MAINS UP TO 125A	CHPHDGEN	-
CH MECHANICAL INTERLOCK BACKFED MAINS 125A AND BELOW (SIDE-BY-SIDE)	CHPMIKCH	-
CH MECHANICAL INTERLOCK CSR MAIN 225A AND BELOW (TOP POSITION)	CHPMIKCSR	-
2/0 BONDING LUG REPLACEMENT	NLP20	-
300 MCM BONDING LUG REPLACEMENT	NLP300	-
225A / 2 POLE MAIN OR SUBFEED LUG BLOCK / 2-1" SPACES / #2-300KCMIL	CHPSF225	-



Whole Home Surge

Description	Catalog Number
Surge Brick - Nominal discharge 5kA, SCC 36kA	CHSPT2SURGE
Surge Brick - Nominal discharge 20kA, SCC 108kA	CHSPT2ULTRA

UL Classified Replacement Breakers

CL Thermal Magnetic Breakers

Replacements for SqD Homeline, GE, T&B, Murray and ITE/Siemens Loadcenters

10 kAIC

Amps	Single Pole	Two Pole
15	CL115	CL215
20	CL120	CL220
25	CL125	CL225
30	CL130	CL230
35	CL135	CL235
40	CL140	CL240
45	CL145	CL245
50	CL150	CL250



CL Classified Arc Fault Breakers

Pigtail Neutral Only

10 kAIC

Amps	Single Pole
15	CLCAF115
20	CLCAF120



CL Classified Ground Fault Breakers

Pigtail Neutral Only

10 kAIC

Amps	Single Pole
15	CLGF115
20	CLGF120
25	CLGF125
30	CLGF130



CHQ Thermal Magnetic Breakers

Replacements for SqD QO Loadcenters

10 kAIC

Amps	Single Pole	Two Pole
15	CHQ115	CHQ215
20	CHQ120	CHQ220
25	CHQ125	CHQ225
30	CHQ130	CHQ230
35	CHQ135	CHQ235
40	CHQ140	CHQ240
45	CHQ145	CHQ245
50	CHQ150	CHQ250
60	-	CHQ260



CHQ Surge Arrestor

Type CHQ

10 kAIC

Amps	Two Pole
N/A	CHQSA



AC Disconnects

120/240V

Galvanized steel enclosure

Amps	Fused	15A GFCI	20A GFCI	Catalog Number
30	Y			DPF221R
30	Y	Y		DPF221RGF15WTST
30	Y		Y	DPF221RGF20WTST
60				DPU222R
60	Y			DPF222R
60		Y		DPU222RGF15WTST
60	Y	Y		DPF222RGF15WTST
60			Y	DPU222RGF20WTST
60	Y		Y	DPF222RGF20WTST



DPU222R

*Receptacles are weather-resistant/tamper-resistant

Metering

Single Meter Sockets

Ringless type, 4 jaw

Amps	Service	Opening	Bypass	Catalog Number
125	UG	N/A	-	1006385BCH
125	OH/UG	3-5/16 hub	-	UTRS111BCH
200	OH	N/A	-	1004709DCH
200	OH	3-5/16 hub	-	UTRS202BCH
200	OH/UG	3-5/16 hub	-	UTRS213BE
320	OH/UG	5X5 hub	Lever	1009788ACH



UTRS202BCH

Multiposition Meters, horizontal

Ringless Type, 4 jaw

Amps	Service	Opening	Position	Catalog Number
200	OH/UG	5X5 hub	4	1006737BCH
200	OH/UG	5X5 hub	2	UT2R2332UCH

Instrument Rated

Amps	Jaws	Service	Opening	Catalog Number
20	13 terminal	Solid top/bottom	Solid	1007003CCH



ARP00006CH2

Accessories

Description	Catalog Number
2-inch hub closure plate for meter socket	ARP00006CH2
2 1/2-inch hub for meter socket	ARP00007CH25

Meter Packs

Consumers Energy Approved List

120/240V, 1ph 3w, 4-jaw, NEMA 3R

Amps	Position	Catalog Number
125	2	1MP2122RRLB
125	3	1MP3124RRLB
125	4	1MP4124RRLB
125	5	1MP5126RRLB
125	6	1MP6126RRLB
200	2	1MP2204RRLB
200	3	1MP3206RRLB
200	4	1MP4206RRLB
200	5	1MP5206RRLB
200	6	1MP6206RRLB



1MP4124RRLB

Meter Packs

DTE Approved List

120/240V, 1ph 3w, 4-jaw, NEMA 3R

Amps	Position	Catalog Number
125	2	1MP2122R
125	3	1MP3124R
125	4	1MP4124R
125	5	1MP5126R
125	6	1MP6126R
200	2	1MP2204R
200	3	1MP3206R
200	4	1MP4206R
200	5	1MP5206R
200	6	1MP6206R