

Pow-R-Line Xpert and legacy



Contents

Description	Page	Description	Page
Procedure for identifying panelboard type	2	PRL4X, PRL4 parts	
Procedure for identifying renewal parts	2	Vented cover assemblies and side gutter covers	31
Distributor ordering instructions	2	Blank covers	31
Eaton satellite plants	3	Breaker connector kits	32
PRL1X, PRL2X, PRL1a, PRL2a parts		Fusible connector kits	34
Connector kits, vertical breakers	5	Breaker retrofit kits	34
Connector kits, lug assemblies	5	Fusible retrofit kits	34
Connector kits, horizontally mounted, PRL1X, PRL1a	8	Accessories	
Neutral assemblies	11	PRL1X, PRL2X, PRL3X, PRL1a, PRL2a, PRL3a EZ Trim and enclosures	36
Ground assemblies	15	PRL1X, PRL2X, PRL3X, PRL1a, PRL2a, PRL3a special trims and enclosures	37
Service entrance bonding jumper kits	15	PRL4 special trims and enclosures	38
Service entrance main breaker kits	16	Type 12/3R enclosures	38
Deadfront covers	16	Ordering procedure	38
Special trim locks	20	PRL1X-LX, PRL2X-LX, PRL1a-LX, PRL2a-LX column panelboards	39
EZ Trim locks	21	Pow-R-Command	39
Fastrim clamps and hardware kits	21	Additional services	39
PRL3X, PRL3a parts			
Connector kits assemblies	21		
Ground assemblies	24		
Service entrance bonding jumper kits	24		
Service entrance main breaker kits	25		
Deadfront covers	25		

Table 1. Product history time line

Product	1985	1990	1995	2019	Present
PRL1X, 2X, 3X, 4X				May 2020	→
PRL1a, 2a			←	Oct. 1996	→
PRL3a		←	Mar. 1994	→	
PRL4B/F	←		Oct. 1987	→	
PRL1a, 2a-LX			←	Dec. 1997	→
Pow-R-Command™			←	Mar. 1996	→

Procedure for identifying panelboard type

The current line of Pow-R-Line C™ panelboards was introduced in 1993. The current line of Pow-R-Line X panelboards was introduced in 2020.

A panelboard is identified by data found on the nameplate. Pow-R-Line C and Pow-R-Line X panelboard nameplates are different in appearance, but all have the same critical information:

- Ampere rating of the main
- Ampere rating of the neutral
- Type of service (phase/wire)
- Manufacturing location
- Type of panel
- General order number

In the event the nameplate is missing, it may still be possible to identify the panel type by location of the neutral bar. **Figure 1** shows the position of the neutral in the panelboard.

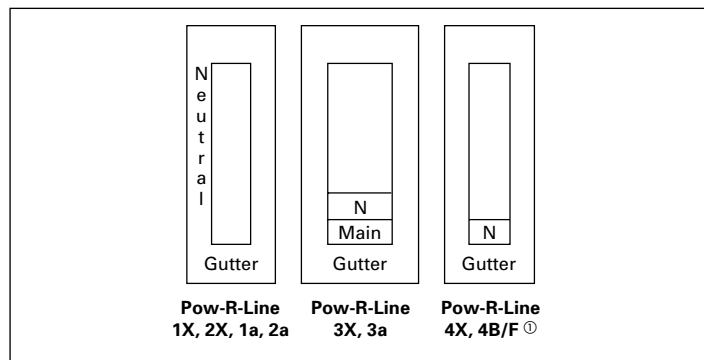


Figure 1. Position of the neutral in the panelboard

Ⓢ PRL4F panels with vertical-mounted main switch will have the neutral mounted at the opposite end of the main.

Box width may also help identify the panelboard type. Standard width for PRL1X, PRL2X, PRL3X, PRL1a, PRL2a, and PRL3a is 20.00 inches (508.0 mm). PRL4X and PRL4 standard widths are 24.00, 36.00, and 44.00 inches (609.6, 914.4, and 1117.6 mm).

Procedure for identifying renewal parts

1. Identify the type of panelboard, i.e., PRL1X, PRL2X, PRL3X, PRL4X, PRL1a, PRL2a, PRL3a, and PRL4 by reading the nameplate. Follow the procedure listed to the left.
2. Refer to the listing below and turn to the proper section in this document to identify standard parts.

Description	Page
PRL1X, PRL2X, PRL1a, and PRL2a	4
Trim locks	20
Trim clamps	21
PRL3X and PRL3a	21
PRL4X, PRL4	31
Special trims and enclosures	38
PRL1X-LX, PRL2X-LX, PRL1a-LX, and PRL2a-LX (column width)	39
Pow-R-Command	39

3. This book identifies those replacement parts most frequently ordered and which are readily available from stock. These parts can be ordered by style or catalog number to speed up processing and delivery.

Distributor ordering instructions

1. Specify part by style/part number.
2. Refer to PL01400001E for pricing information. Discount Symbol CE9 applies.
3. Turn to **page 3** to locate nearest satellite plant.
4. Enter the order on the satellite plant via mail, fax, or phone.
5. Selling policy 25-000 applies.

⚠ WARNING

HAZARDOUS VOLTAGE WILL CAUSE SEVERE INJURY OR DEATH. TURN OFF POWER SUPPLY TO EQUIPMENT BEFORE WORKING ON IT.

Eaton satellite plants



Figure 2. Satellite plants

For an unparalleled commitment to your specific needs, please visit your local Satellite facility.

Eaton Pow-R-Line Xpert panelboards and switchboards are built to your requirements at our world-class manufacturing plants in Sumter, SC and Juarez, MX. In addition, Eaton has 16 regional Satellite facilities located across the country to meet your panelboard and switchboard service needs.

Atlanta
7000 Highlands Parkway SE
Suite 102
Smryna, GA 30082
678.309.4260

Baltimore
7451 Coca Cola Drive
Suite C
Hanover, MD 21076
410.796.7777

Chicago
230 Windy Point Drive
Glendale Heights, IL 60139
630.260.6303

Cleveland
12875 Corporate Drive
Unit E
Parma, OH 44130
216.265.3284

Dallas
631 Westport Parkway
Suite 100
Grapevine, TX 76051
817.251.6733

Denver
2450 Airport Road
Suite C
Aurora, CO 80011
303.366.2080

Hartford
40A International Drive
Windsor, CT 06095
860.298.1305

Houston
14825 Northwest Freeway
Suite 100
Houston, TX 77040
713.744.7530

Juarez
Prolongacion Hermanos Escobar
#7014, Parque Industrial Omega
Adicion Oriental Cd.
Juarez, Chichauha Mexico 32648

Los Angeles-P&S
13201 Dahlia Street
Suite 300
Fontana, CA 92337
919.428.8903

Nashville
1421 Gould Boulevard
Suite C
La Vergne, TN 37086
615.287.3200

Phoenix
560 N 54th Street
Suite 1
Chandler, AZ 85226
480.449.4222

Raleigh
9400 Globe Center Drive
Suite 121
Morrisville, NC 27560
919.544.7074

St. Louis
56 Soccer Park Road
Fenton, MO 63026
636.717.3500

Sumter
Main Manufacturing Plant
845 Corporate Circle
Sumter, SC 29154
803.481.3131

San Francisco
20923 Cabot Boulevard
Hayward, CA 94545
510.784.8981

Seattle
1604 15th Street SW
Suite 114
Auburn, WA 98001
253.833.5021

Westampton
96 Stemmers Lane
Westampton, NJ 08060
609.835.4230

PRL1X, PRL2X, PRL1a, PRL2a parts section

Description	Page
Connector kits, vertical breakers	5
Connector kits, lug assemblies	5–7
Connector kits, horizontally mounted	8–10
Neutral assemblies	11–14
Ground assemblies	15
Service entrance bonding jumper kits.	15
Service entrance main breaker kits.	16
Deadfront covers.	17–19
Panelboard special trim locks	20
Panelboard EZ Trim locks.	21
Panelboard Fastrim clamps and screw-on hardware kits	21

PRL1X, PRL2X, PRL1a, PRL2a connector kits

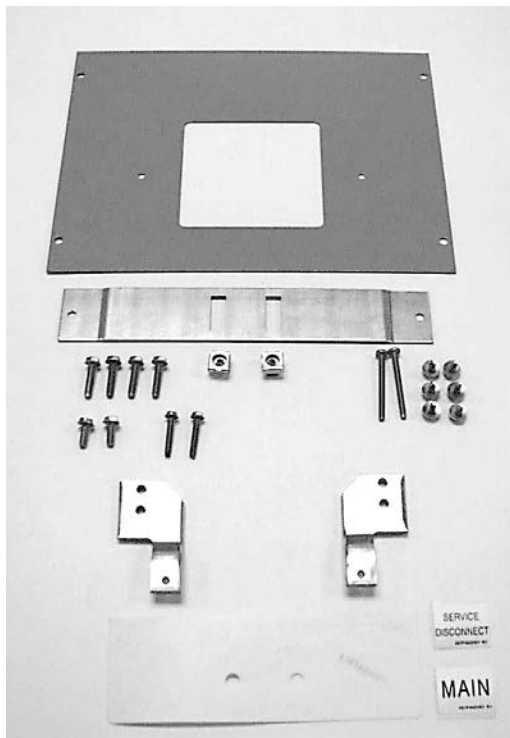
Table 2. PRL1X, PRL2X vertical breaker assemblies

Device Type ①	Device mounting	Three-phase		Single-phase	
		Tin-plated aluminum connector Catalog number	Silver-plated copper connector	Tin-plated aluminum connector	Silver-plated copper connector
PDG2 (100 A maximum)	Top fed	KB13A2T	KB13S2T	KB11A2T	KB11S2T
	Bottom fed	KB13A2B	KB13S2B	KB11A2B	KB11S2B
PDG2 (225A maximum)	Top fed	KB23A2T	KB23S2T	KB21A2T	KB21S2T
	Bottom fed	KB23A2B	KB23S2B	KB21A2B	KB21S2B
PDG3A (400 A)	Top fed	KB43A34T	KB43S34T	KB41A14T	KB41S14T
	Bottom fed	KB43A34B	KB43S34B	KB41A14B	KB41S14B
PDG3B (600 A)	Top fed	N/A	KB63S36T	N/A	KB61S16T
	Bottom fed	N/A	KB63S36B	N/A	KB61S16B

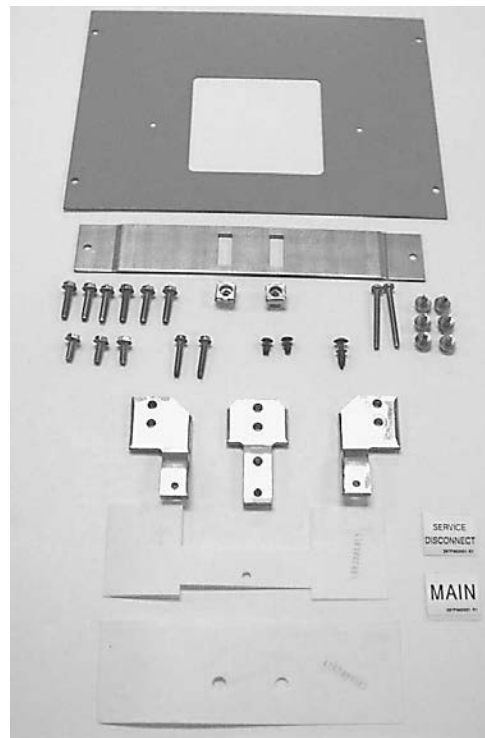
① Order main or sub-feed breaker separately when ordering above connector kits.

PDG3A = Adjustable

PDG3B = ETU (Electronic trip unit)



KB11AFT



KB13AFT

Table 3. PRL1a, PRL2a vertical breaker assemblies

Device type ①	Device mounting	Three-phase		Single-phase	
		Tin-plated aluminum connector	Silver-plated copper connector	Tin-plated aluminum connector	Silver-plated copper connector
		Catalog number			
F-Frame ② (100 A maximum)	Top fed	KB13AFT	KB13SFT	KB11AFT	KB11SFT
	Bottom fed	KB13AFB	KB13SFB	KB11AFB	KB11SFB
F-Frame ③ (225 A maximum)	Top fed	KB23AFT	KB23SFT	KB21AFT	KB21SFT
	Bottom fed	KB23AFB	KB23SFB	KB21AFB	KB21SFB
J-Frame	Top fed	KB43AJT	KB43SJT	KB41AJT	KB41SJT
	Bottom fed	KB43AJB	KB43SJB	KB41AJB	KB41SJB
K-Frame	Top fed	KB43AKT	KB43SKT	KB41AKT	KB41SKT
	Bottom fed	KB43AKB	KB43SKB	KB41AKB	KB41SKB

① Order main or sub-feed breaker separately when ordering above connector kits.

② EHD, FD, HFD, FDC.

③ FD, HFD, FDC, ED, EDH, EDC.

Table 4. 100 A lug assemblies

Lug type	Panel lug options ①	Wire size range	Quantity per phase	Three-phase		Single-phase	
				Tin-plated aluminum connector	Silver-plated copper connector	Tin-plated aluminum connector	Silver-plated copper connector
Catalog number							
Aluminum/copper mechanical	STD	#14–1/0	1	KL13AMS	KL13SMS	KL11AMS	KL11SMS
	SFL	#14–1/0	2	KL13AMF	KL13SMF	KL11AMF	KL11SMF
	OVS	#6–300 kcmil	1	KL13AMO	KL13SMO	KL11AMO	KL11SMO
Crimp	STD	#1–1/0	1	KL13AVS	KL13SVS	KL11AVS	KL11SVS
	SFL	#1–1/0	2	KL13AVF	KL13SVF	KL11AVF	KL11SVF
	OVS	2/0–300 kcmil	1	KL13AVO	KL13SVO	KL11AVO	KL11SVO
Copper mechanical	STD	#14–1/0	1	—	KL13SCS	—	KL11SCS
	SFL	#14–1/0	2	—	KL13SCF	—	KL11SCF
	OVS	#6–250 kcmil	1	—	KL13SCO	—	KL11SCO

① STD = Standard lugs. Use for main or through-feed.

SFL = Sub-feed lugs.

OVS = Oversize lugs. Use for main or through-feed.



KL13AMS



KL11AVS

Table 5. 225 A lug assemblies

Lug type	Panel lug options ①	Wire size range	Quantity per phase	Three-phase		Single-phase	
				Tin-plated aluminum connector Catalog number	Silver-plated copper connector	Tin-plated aluminum connector	Silver-plated copper connector
Aluminum/copper mechanical	STD	#6–300 kcmil	1	KL23AMS	KL23SMS	KL21AMS	KL21SMS
	SFL	#6–300 kcmil	2	KL23AMF	KL23SMF	KL21AMF	KL21SMF
	OVS	4/0–500 kcmil	1	KL23AMO	KL23SMO	KL21AMO	KL21SMO
Crimp	STD	2/0–300 kcmil	1	KL23AVS	KL23SVS	KL21AVS	KL21SVS
	SFL	2/0–300 kcmil	2	KL23AVF	KL23SVF	KL21AVF	KL21SVF
	OVS	4/0–500 kcmil	1	KL23AVO	KL23SVO	KL21AVO	KL21SVO
Copper mechanical	STD	#6–250 kcmil	1	—	KL23SCS	—	KL21SCS
	SFL	#6–250 kcmil	2	—	KL23SCF	—	KL21SCF
	OVS	1/0–600 kcmil	1	—	KL23SCO	—	KL21SCO

① STD = Standard lugs. Use for main or through-feed.
 SFL = Sub-feed lugs.
 OVS = Oversize lugs. Use for main or through-feed.



KL23AMS

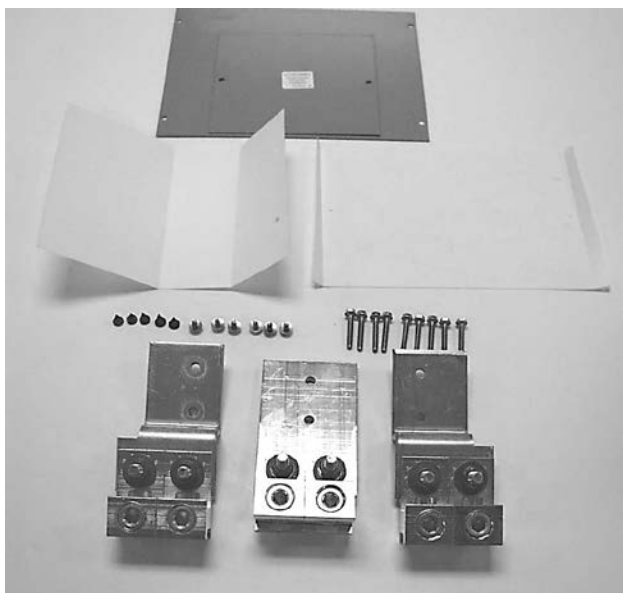


KL21AVS

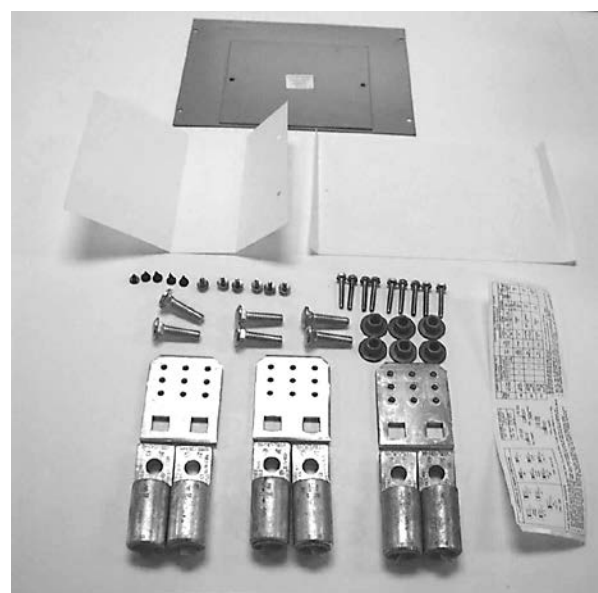
Table 6. 400 A lug assemblies

Lug type	Panel lug options ①	Wire size range	Quantity per phase	Three-phase		Single-phase	
				Tin-plated aluminum connector Catalog number	Silver-plated copper connector	Tin-plated aluminum connector	Silver-plated copper connector
Aluminum/copper mechanical	STD	4/0–500 kcmil	2	KL43AMS	KL43SMS	KL41AMS	KL41SMS
	SFL	—	—	—	—	—	—
	OVS	3/0–750 kcmil	2	KL43AMO	KL43SMO	KL41AMO	KL41SMO
Crimp	STD	4/0–500 kcmil	2	KL43AVS	KL43SVS	KL41AVS	KL41SVS
	SFL	—	—	—	—	—	—
	OVS	500–750 kcmil	2	KL43AVO	KL43SVO	KL41AVO	KL41SVO
Copper mechanical	STD	1/0–600 kcmil	1	—	—	—	—
	SFL	—	—	—	—	—	—
	OVS	1/0–600 kcmil	1	—	KL43SCO	—	KL41SCO

① STD = Standard lugs. Use for main or through-feed.
 SFL = Sub-feed lugs.
 OVS = Oversize lugs. Use for main or through-feed.



KL43AMS



KL43AVS

Table 7. 600 A lug assemblies

Lug type	Panel lug options ①	Wire size range	Quantity per phase	Three-phase connectors			Single-phase connectors				
				Tin-plated aluminum Catalog number	Bare copper	Silver-plated copper	Tin-plated copper	Tin-plated aluminum	Bare copper	Silver-plated copper	Tin-plated copper
Aluminum/copper mechanical	STD	4/0–500 kcmil	2	—	KL63CMS	KL63SMS	KL63TMS	—	KL61CMS	KL61SMS	KL61TMS
	SFL	—	—	—	—	—	—	—	—	—	—
	OVS	3/0–750 kcmil	2	—	KL63CMO	KL63SMO	KL63TMO	—	KL61CMO	KL61SMO	KL61TMO
Crimp	STD	4/0–500 kcmil	2	—	KL63CVS	KL63SVS	KL63TVS	—	KL61CVS	KL61SVS	KL61TVS
	SFL	—	—	—	—	—	—	—	—	—	—
	OVS	500–750 kcmil	2	—	KL63CVO	KL63SVO	KL63TVO	—	KL61CVO	KL61SVO	KL61TVO
Copper mechanical	STD	1/0–600 kcmil	1	—	—	—	—	—	—	—	—
	SFL	—	—	—	—	—	—	—	—	—	—
	OVS	1/0–600 kcmil	1	—	—	—	—	—	—	—	—

① STD = Standard lugs. Use for main or through-feed.
 SFL = Sub-feed lugs.
 OVS = Oversize lugs. Use for main or through-feed.

PRL1X, PRL1a horizontally mounted connector kit assemblies

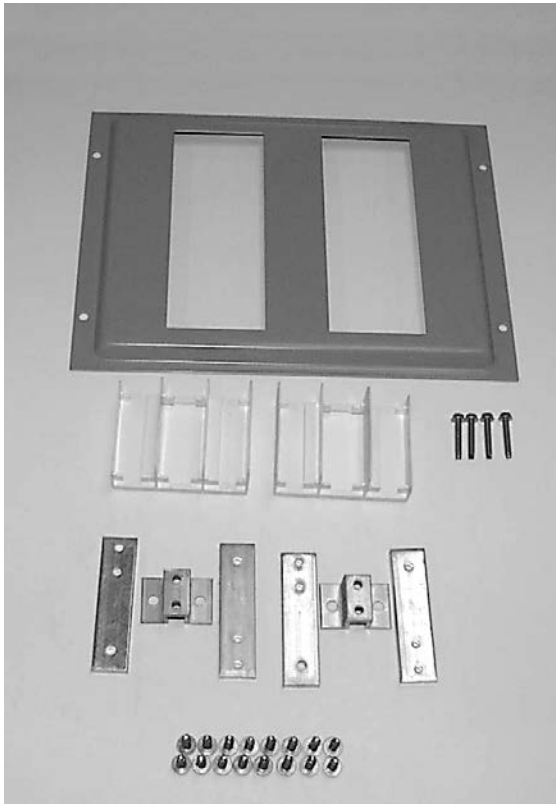
Table 8. Bolt-on QUICKLAG® breaker assemblies

Breaker frame	Drawing number ①	Branch circuit quantity	Three-phase		Single-phase	
			Tin-plated aluminum connector Item number	Silver-plated copper connector	Tin-plated aluminum connector	Silver-plated copper connector
BA, BAB, QBH, QBGF, QBHGF, QBGFEP, QBHGFEP	1C96608	12	G01	G03	G05	G07
		18	G09	G11	G13	G15
		30	G17	G19	G21	G23
		42	G25	G27	G29	G31
		48	G33	G35	G37	G39
		54	G41	G43	G45	G47
		72	G49	G51	G53	G55
		96	G57	G59	G61	G63

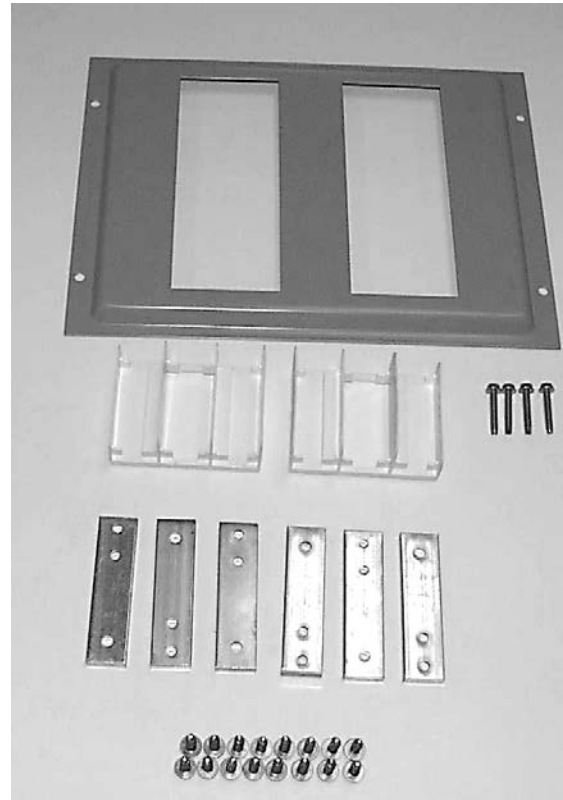
① Order the basic drawing number, along with the equivalent G-number that's needed.

Note: When determining branch circuit quantity, remember:

1. QUICKLAG breakers with shunt trips require one additional circuit.
2. UL® listed lighting and appliance (CTL) panelboards **cannot** exceed 42 electrically connected circuits in a single enclosure.
3. When bare copper is specified, use the silver-plated groups.
4. **Order breakers separately with connector kit.**



1C96608G01



1C96608G05

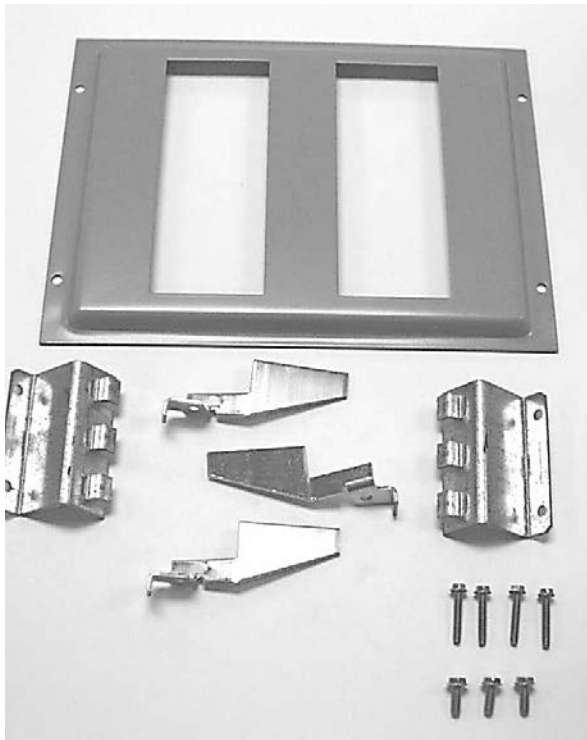
Table 9. Plug-in QUICKLAG breaker assemblies

Breaker frame	Drawing number ①	Branch circuit quantity	Three-phase		Single-phase	
			Tin-plated aluminum connector	Silver-plated copper connector	Tin-plated aluminum connector	Silver-plated copper connector
			Item number			
HQP, QPHW, QHPX, QPGF, QPHGF, QPGFEP, QPHGFEP	2C11642	12	—	G03	—	G07
		18	—	G11	—	G15
		30	—	G19	—	G23
		42	—	G27	—	G31
		48	—	G35	—	G39
		54	—	G43	—	G47
		72	—	G51	—	G55
		96	—	G59	—	G63

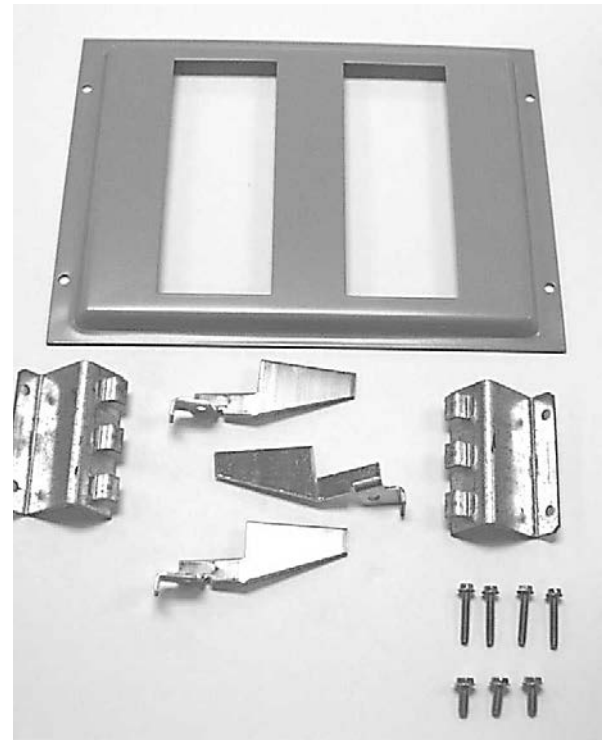
① Order the basic drawing number, along with the equivalent G-number that's needed.

Note: When determining branch circuit quantity, remember:

1. QUICKLAG breakers with shunt trips require one additional circuit.
2. UL listed lighting and appliance (CTL) panelboards **cannot** exceed 42 electrically connected circuits in a single enclosure.
3. When aluminum is specified, use the silver-plated groups.
4. The sum of the horizontally twin-mounted breakers **shall not exceed 140 A**.
5. **Order breakers separately with connector kit.**



2C11642G03



2C11642G07

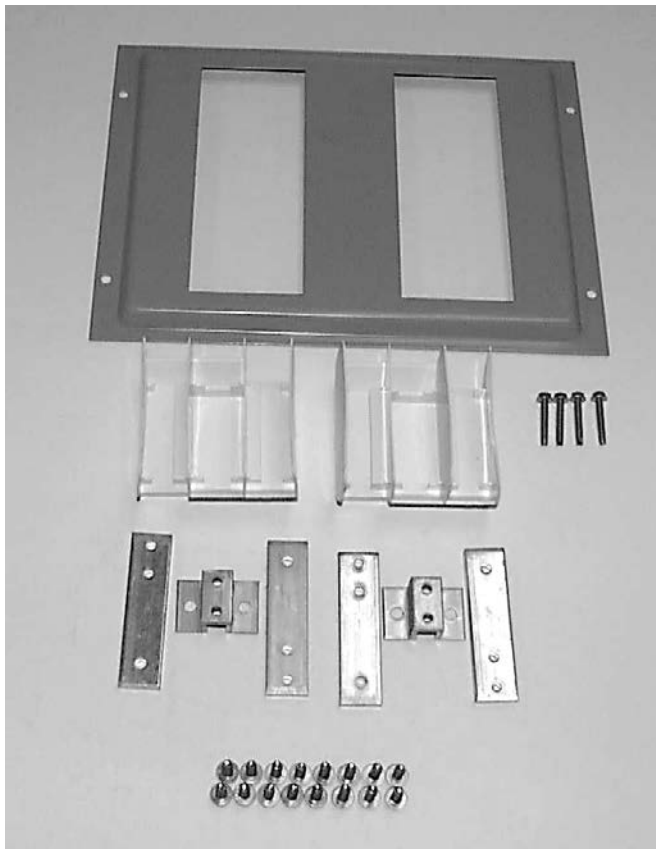
Table 10. GB, GHB, GHQ, GHBS breaker assemblies

Breaker frame	Drawing number ①	Branch circuit quantity	Three-phase		Single-phase	
			Tin-plated aluminum connector Item number	Silver-plated copper connector	Tin-plated aluminum connector	Silver-plated copper connector
GB, GHB, GHQ, GHBS	1C96609	12	G01	G03	G05	G07
		18	G09	G11	G13	G15
		30	G17	G19	G21	G23
		42	G25	G27	G29	G31
		48	G33	G35	G37	G39
		54	G41	G43	G45	G47
		72	G49	G51	G53	G55
		96	G57	G59	G61	G63

① Order the basic drawing number, along with the equivalent G-number that's needed.

Note: When determining branch circuit quantity, remember:

1. QUICKLAG breakers with shunt trips require one additional circuit.
2. UL listed lighting and appliance (CTL) panelboards **cannot** exceed 42 electrically connected circuits in a single enclosure.
3. When bare copper is specified, use the silver-plated groups.
4. **Order breakers separately with connector kit.**



1C96609G01

PRL1X, PRL2X, PRL1a, PRL2a neutral assemblies

Table 11. 100 A neutral assemblies ①

Panel main bus ampere rating	Neutral rating	Lug type	Drawing number ②	Panel lug options ③	Wire size range	Quantity	Tin-plated aluminum connector Item number	Silver-plated copper connector
100	100%	Mechanical	1C96646	STD	#14-1/0	1	G02	G03
				SFL/TFL	#14-1/0	2	G05	G07
				OVS	#6-300 kcmil	1	G09	G11
		Crimp	42C4050	STD	#1-1/0	1	G01	G03
				SFL/TFL	#1-1/0	2	G05	G07
				OVS	2/0-300 kcmil	1	G09	G11
		Copper	1C96648	STD	#14-1/0	1	—	G03
				SFL/TFL	#14-1/0	2	—	G07
				OVS	#6-250 kcmil	1	—	G11
	200%	Mechanical	1C96649	STD	#6-300 kcmil	1	G02	G03
				SFL/TFL	#6-300 kcmil	2	G06	G07
				OVS	4/0-500 kcmil	1	G09	G11
		Crimp	42C4051	STD	2/0-300 kcmil	1	G01	G03
				SFL/TFL	2/0-300 kcmil	2	G05	G07
				OVS	4/0-500 kcmil	1	G09	G11
Copper	1C96651	STD	#6-250 kcmil	1	—	G03		
		SFL/TFL	#6-250 kcmil	2	—	G07		
		OVS	1/0-600 kcmil	1	—	G11		

① The assemblies shown on this page are for panelboards that mount in 30.00-90.00-inch (762.0-2286.0 mm) high enclosures only. Reference **page 14** for assemblies for panelboards that mount in 21.00-27.00-inch (533.4-685.8 mm) high enclosures.

② Order the basic drawing number, along with the equivalent G-number that's needed.

③ STD = Standard lugs.
SFL/TFL = Sub-feed and through-feed lugs.
OVS = Oversize lugs.



1C96646G01

Table 12. 225 A neutral assemblies ①

Panel main bus ampere rating	Neutral rating	Lug type	Drawing number ②	Panel lug options ③	Wire size range	Quantity	Tin-plated aluminum connector	Silver-plated copper connector
							Item number	Item number
225	100%	Mechanical	1C96649	STD	#6–300 kcmil	1	G02	G03
				SFL/TFL	#6–300 kcmil	2	G06	G07
				OVS	4/0–500 kcmil	1	G09	G11
		Crimp	42C4051	STD	2/0–300 kcmil	1	G01	G03
				SFL/TFL	2/0–300 kcmil	2	G05	G07
				OVS	4/0–500 kcmil	1	G09	G11
		Copper	1C96651	STD	#6–250 kcmil	1	—	G03
				SFL/TFL	#6–250 kcmil	2	—	G07
				OVS	1/0–600 kcmil	1	—	G11
	200%	Mechanical	1C96652	STD	4/0–500 kcmil	2	G01	G03
				SFL/TFL	—	—	G05	G07
				OVS	3/0–750 kcmil	2	G09	G11
		Crimp	42C4052	STD	4/0–500 kcmil	2	G01	G03
				SFL/TFL	—	—	G05	G07
				OVS	500–750 kcmil	2	G09	G11
		Copper	1C96654	STD	1/0–600 kcmil	1	—	G03
				SFL/TFL	—	—	—	G07
				OVS	1/0–600 kcmil	1	—	G11

① The assemblies shown on this page are for panelboards that mount in 30.00–90.00-inch (762.0–2286.0 mm) high enclosures.

② Order the basic drawing number, along with the equivalent G-number that’s needed.

③ STD = Standard lugs.
SFL/TFL = Sub-feed and through-feed lugs.
OVS = Oversize lugs.



1C96649G01

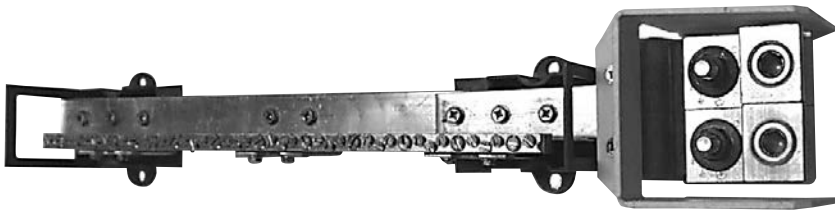
Table 13. 400 A neutral assemblies ①

Panel main bus ampere rating	Neutral rating	Lug type	Drawing number ②	Panel lug options ③	Wire size range	Quantity	Tin-plated aluminum connector	Silver-plated copper connector
							Item number	
400	100%	Mechanical	1C96652	STD	4/0–500 kcmil	2	G01	G03
				SFL/TFL	—	—	G05	G07
				OVS	3/0–750 kcmil	2	G09	G11
		Crimp	42C4052	STD	4/0–500 kcmil	2	G01	G03
				SFL/TFL	—	—	G05	G07
				OVS	500–750 kcmil	2	G09	G11
		Copper	1C96654	STD	1/0–600 kcmil	1	—	G03
				SFL/TFL	—	—	—	G07
				OVS	1/0–600 kcmil	1	—	G11

① The assemblies shown on this page are for panelboards that mount in 30.00–90.00-inch (762.0–2286.0 mm) high enclosures.

② Order the basic drawing number, along with the equivalent G-number that's needed.

③ STD = Standard lugs.
SFL/TFL = Sub-feed and through-feed lugs.
OVS = Oversize lugs.



1C96652G01

Table 14. 600 A neutral assemblies ①

Panel main bus ampere rating	Neutral rating	Lug type	Drawing number ②	Circuit quantity	Panel lug options ③	Tin-plated aluminum connector	Bare copper	Silver-plated copper connector	Tin-plated copper connector
						Item number			
600	100%	Mechanical	1C96652	42 or less	STD	—	G02	G03	G04
					TFL	—	G06	G07	G08
					OVS	—	G10	G11	G12
					OVS W/ TFL	—	G26	G27	G28
					Anderson	—	—	—	—
					TFL	—	—	—	—
		Burdndy	42C4052	42 or less	STD	—	G02	G03	G04
					TFL	—	G06	G07	G08
					OVS	—	G10	G11	G12
		Copper	—	42 or less	STD	—	—	—	—
					TFL	—	—	—	—
					OVS	—	—	—	—
					Greater than 42	STD	—	—	—
					TFL	—	—	—	—
					OVS	—	—	—	—

① The assemblies shown on this page are for panelboards that mount in 30.00–90.00-inch (762.0–2286.0 mm) high enclosures.

② Order the basic drawing number, along with the equivalent G-number that's needed.

③ STD = Standard lugs.
SFL/TFL = Sub-feed and through-feed lugs.
OVS = Oversize lugs.

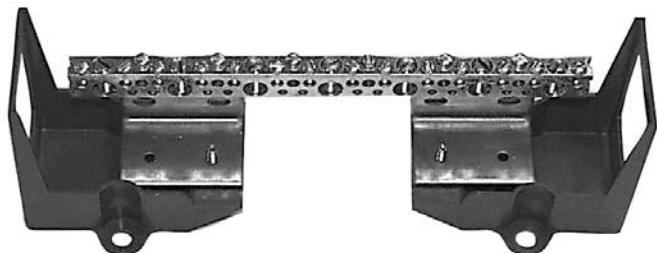
Table 15. 100 A neutral assemblies for 21.00–27.00-inch (533.4–685.8 mm) high enclosures only ①

Panel main bus ampere rating	Neutral rating	Lug type	Drawing number ②	Panel lug options ③	Wire size range	Quantity	Tin-plated aluminum connector	Silver-plated copper connector	
							Item number		
100	100%	Mechanical	1C96645	STD	#14–1/0	1	G01	G03	
				SFL/TFL	#14–1/0	2	G05	G07	
				OVS	—	—	—	—	
		Crimp	—	STD	—	—	—	—	—
				SFL/TFL	—	—	—	—	—
				OVS	—	—	—	—	
		Copper	—	STD	—	—	—	—	—
				SFL/TFL	—	—	—	—	—
				OVS	—	—	—	—	
200%	200%	Mechanical	1C97022	STD	#6–300 kcmil	1	G01	G03	
				SFL/TFL	#6–300 kcmil	2	G05	G07	
				OVS	—	—	—	—	
		Crimp	—	STD	—	—	—	—	—
				SFL/TFL	—	—	—	—	—
				OVS	—	—	—	—	
		Copper	—	STD	—	—	—	—	—
				SFL/TFL	—	—	—	—	—
				OVS	—	—	—	—	

① The assemblies shown on this page are for panelboards that mount in 21.00–27.00-inch (533.4–685.8 mm) high enclosures only. Reference **page 11** for assemblies for panels that mount in 36.00, 48.00, 60.00, 72.00, and 90.00-inch (914.4, 1219.2, 1524.0, 1828.8, and 2286.0 mm) high enclosures.

② Order the basic drawing number, along with the equivalent G-number that’s needed.

③ STD = Standard lugs.
SFL/TFL = Sub-feed and through-feed lugs.
OVS = Oversize lugs.



1C96645G01

PRL1X, PRL2X, PRL1a, PRL2a ground assemblies

Table 16. Standard ground

Drawing number ①	Enclosure height in inches (mm)	Bar material	Item number
5158C05	24.00 (609.6)	Aluminum/copper	G01
		Copper	G03
	36.00 (914.4), 48.00 (1219.2), 60.00 (1524.0), 72.00 (1828.8), 90.00 (2286.0)	Aluminum/copper	G02
		Copper	G04

① Order the basic drawing number, along with the equivalent G-number that's needed (example: 5158C05G01).



5158C05G01



5158C05G02

Table 17. Isolated ground

Drawing number ①	Enclosure height in inches (mm)	Bar material	Item number
2C11296	24.00 (609.6)	Aluminum/copper	G01
		Copper	G02
	36.00 (914.4), 48.00 (1219.2), 60.00 (1524.0), 72.00 (1828.8), 90.00 (2286.0)	Aluminum/copper	G03
		Copper	G04

① Order the basic drawing number, along with the equivalent G-number that's needed (example: 5158C05G01).

PRL1X, PRL2X, PRL1a, PRL2a service entrance bonding jumper kits

Table 18. PRL1X, PRL2X, PRL1a, PRL2a service entrance bonding jumper kits

Drawing number ①	Panel ampere rating	Tin-plated aluminum Item number	Bare copper	Silver-plated copper	Tin-plated copper
Mechanical main lugs or main breakers					
4180B62	100-225	G01	G02	G03	G04
4180B62	400-600	G05	G06	G07	G08
Compression (crimp) main lugs					
4180B62	100-225	G09	G10	G11	G12
4180B62	400-600	G13	G14	G15	G16
Copper main lugs					
4180B62	100-225	—	G18	G19	G20
4180B62	400-600	—	G22	G23	G24

① Order the basic drawing number, along with the equivalent G-number that's needed (example: 5158C05G01).



4180B62G01

PRL1X, PRL2X, PRL1a, PRL2a service entrance main breaker kits

Table 19. PRL1X, PRL2X service entrance main breaker kits

Description	Circuit breaker frame	Catalog number
Service entrance barrier for PDG3	PDG3	PRLSEBLGKD
Service entrance barrier for PDG2	PDG2	PRLSEBFD
Service entrance barrier for GHB	GHB	PRLSEBGHB

Table 20. PRL1a, PRL2a service entrance main breaker kits

Description	Circuit breaker frame	Catalog number
Service entrance barrier for LG and KD	LG/KD	PRLSEBLGKD
Service entrance barrier for JD	JD	PRLSEBJD
Service entrance barrier for FD	FD	PRLSEBFD
Service entrance barrier for GHB	GHB	PRLSEBGHB



SE barrier kit FD_016

PRL1X, PRL2X, PRL1a, PRL2a deadfront covers

Note: Does not apply to PRL4 sub-chassis.

Table 21. Assembly

Assembly drawing number ①	Standard enclosure height in inches (mm)						
	24.00 (609.6)	36.00 (914.4)	42.00 (1066.8)	48.00 (1219.2)	60.00 (1524.0)	72.00 (1828.8)	90.00 (2286.0)
1C96638	G01	G02	G07	G03	G04	G05	G06

① Order the basic drawing number, along with the equivalent G-number that's needed (example: 1C96638G01).

Table 22. PRL1X, PRL2X, PRL1a, PRL2a vertically mounted devices

Mounting arrangement	Device/frame	Drawing number ①	Mounting position	Item number
Vertical	100 A MLO, SFL, TFL or PD2 (100 A maximum)	42C8072	Top	H01
			Bottom	H02
	225 A MLO, SFL, TFL or PD2 (225 A maximum)	42C8073	Top	H01
			Bottom	H04
	400 A MLO, TFL or PDG3	42C7982	Top	H01
			Bottom	H02
Blank covers in inches (mm)	1.00 (25.4)	4180B08	—	H01
	2.00 (50.8)		—	H02
	3.00 (76.2)		—	H03
	4.00 (101.6)		—	H04
	5.00 (127.0)		—	H05
	6.00 (152.4)		—	H06
	7.00 (177.8)		—	H07
	8.00 (203.2)		—	H08
	9.00 (228.6)		—	H09
	10.00 (254.0)		—	H10
	11.00 (279.4)		—	H11
	12.00 (304.8)		—	H12
	13.00 (330.2)		—	H13
	14.00 (355.6)		—	H14
	15.00 (381.0)		—	H15
	16.00 (406.4)		—	H16

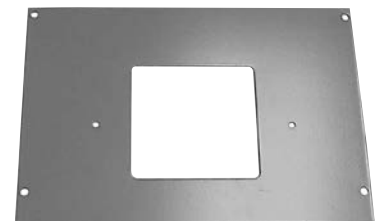
① Order the basic drawing number, along with the equivalent H-number that's needed (example: 4180B03H01).



1C96638G01



4180B08H03



4180B03H01

Table 23. PRL1a, PRL2a vertically mounted devices

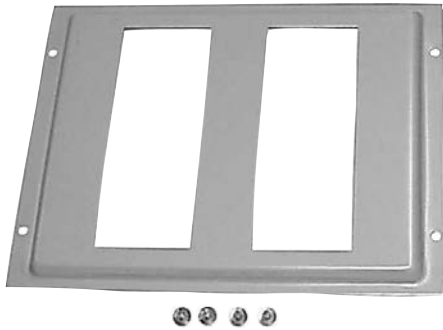
Mounting arrangement	Device/frame	Drawing number ①	Mounting position	Item number	
Vertical	100 A MLO, SFL, TFL or F-Frame (100 A maximum)	42C8072	Top	H01	
			Bottom	H02	
	225 A MLO, SFL, TFL or F-Frame (225 A maximum)	42C8073	Top	H01	
			Bottom	H04	
	400 A MLO, SFL, TFL or J-Frame	4180B04	Top	H01	
			Bottom	H02	
	400 A MLO, TFL or K-Frame	42C7982	Top	H01	
			Bottom	H02	
	Blank covers in inches (mm)	1.00 (25.4)	4180B08	—	H01
		2.00 (50.8)		—	H02
3.00 (76.2)		—		H03	
4.00 (101.6)		—		H04	
5.00 (127.0)		—		H05	
6.00 (152.4)		—		H06	
7.00 (177.8)		—		H07	
8.00 (203.2)		—		H08	
9.00 (228.6)		—		H09	
10.00 (254.0)		—		H10	
11.00 (279.4)		—		H11	
12.00 (304.8)		—		H12	
13.00 (330.2)		—		H13	
14.00 (355.6)		—		H14	
15.00 (381.0)		—		H15	
16.00 (406.4)		—		H16	

① Order the basic drawing number, along with the equivalent H-number that's needed (example: 4180B03H01).

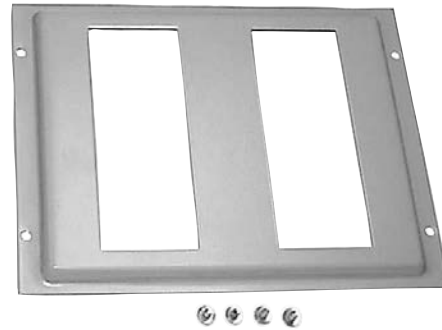
Table 24. Horizontally mounted devices

Mounting arrangement	Device/frame	Drawing number ①	Branch circuit quantity	Item number	Quantity required			
Horizontal	BA, BAB, QBH, QBGF, QBHGF, QBGFEP, QBHGFEP	1C96619	12	H01	1			
			18	H02	1			
			30	H04	1			
			42	H06	1			
			48	H03	2			
			54	H03 and H04	1 each			
			72	H05	2			
			96	H07	2			
			Horizontal	GB, GHB, GHQ, GHBS	1C96620	12	H01	1
						18	H02	1
						30	H04	1
						42	H06	1
						48	H03	2
						54	H03 and H04	1 each
72	H05	2						
96	H07	2						

① Order the basic drawing number, along with the equivalent H-number that's needed (example: 1C96619H01).



1C96619H01



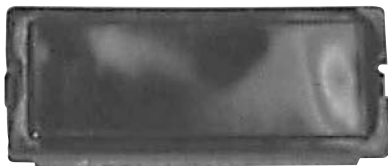
1C96620H01

Table 25. Filler covers

Device/frame	Drawing number	Item number
F, J, K ①	4180B52	H01
QUICKLAG, GB, GHB ②	5155C62	H01

① Filler covers are required in addition to deadfront cover whenever MLO, SFL or TFL are specified.

② Filler covers are required in addition to deadfront cover whenever a branch provision is specified.



5155C62H01



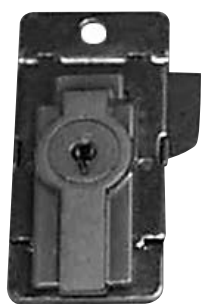
4180B52H01

Panelboard special trim locks

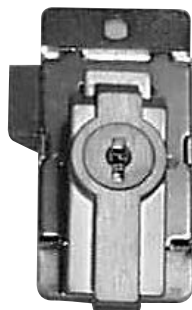
Panelboard trims use different trim locks. See pictures below for styles and part numbers. Contact your nearest satellite for availability on the styles listed below. See **page 3** for satellite listings.

Table 26. Panelboard special trim locks

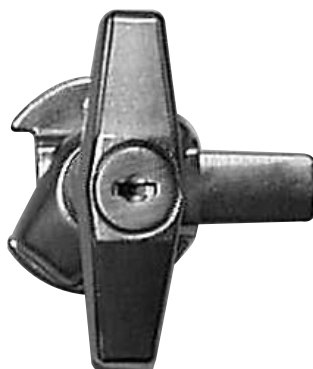
Description	Catalog number
For use on left-handed door (hinged on left side)	K80522
For use on right-handed door (hinged on right side)	K80133
T-Handle lock, at one time used on all trims over 48.00 inches (1219.2 mm) in height, also used on outdoor NEMA® 12/3R trims	K80429
Used on PRL4X and PRL4 lighting and power panels as standard	1A32258H03
Used on PRL1X, 2X, 3X, PRL1, 2, 3 and PRL1a, 2a, 3a lighting panels as standard; WEM 2 key	5155C81G01



K80522



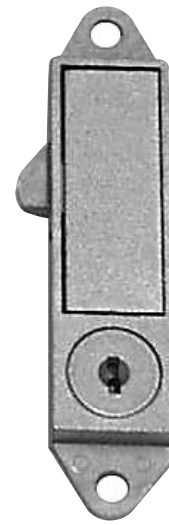
K80133



K80429



5155C81G01



1A32258H03

Panelboard EZ Trim locks

Panelboard EZ Trim™ uses different trim locks. See **Table 27** and pictures below for styles and part numbers. Contact your nearest satellite for availability. See **page 3** for satellite listings.

Table 27. Panelboard EZ Trim locks

Description	Size	Catalog number
Lock	24–48 inches	5155C81G03
Lock and latch	54–60 inches	5155C81G03/5155C81G05
Lock and latch	72–90 inches	5155C81G04/5155C81G06



EZ Trim lock with key



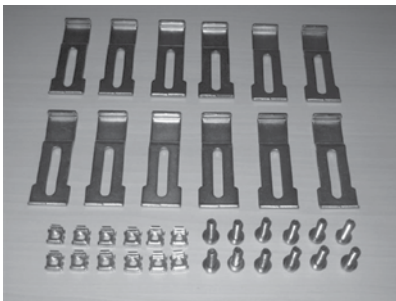
EZ Trim latch without key

Panelboard Fastrim clamps and screw-on hardware kits

For panelboard trim clamps, contact your nearest satellite for availability on the styles listed below. See **page 3** for satellite listings.

Table 28. Panelboard Fastrim clamps and screw-on hardware kits

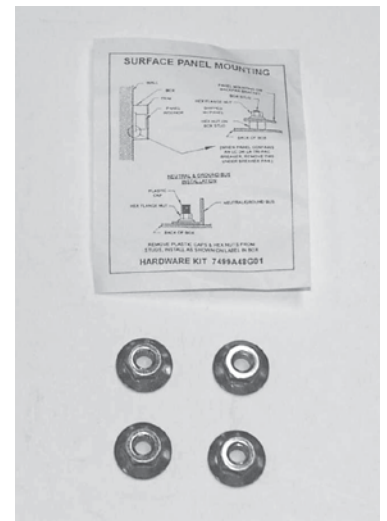
Description	Style number
Trim clamps—used on PRL1X, PRL2X, PRL3X, PRL1a, PRL2a, PRL3a Fastrims (6 per bag)	2C11641G02
Trim screws—used on PRL1X, PRL2X, PRL3X, PRL1a, PRL2a, PRL3a, PRL4B standard trim (10 per bag)	5157C83G06
Chassis mounting hardware bag—PRL1X, PRL2X, PRL3X, PRL1a, PRL2a, PRL3a panels	7499A48G04



2C11641G02



5157C83G06



7499A48G04

PRL3X, PRL3a parts section

Description	Page
Connector kit assemblies	22
Ground assemblies	24
Service entrance kits	24
Deadfront covers	25–29

PRL3X, PRL3a horizontally mounted connector kit assemblies

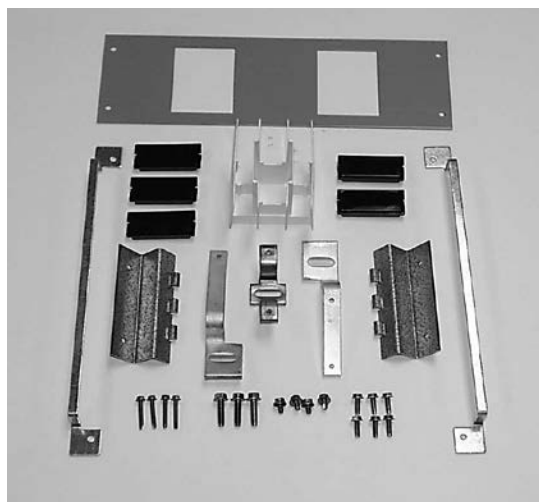
Three-phase kits contain A, B, and C phase connectors. Single-phase kits contain A and C phase connectors, deadfront cover, hardware and instructions to twin-mount breakers across from each other. **Maximum amperes connected to any one connector cannot exceed 200 A.**

Table 29. PRL3X horizontally mounted connector kit assemblies

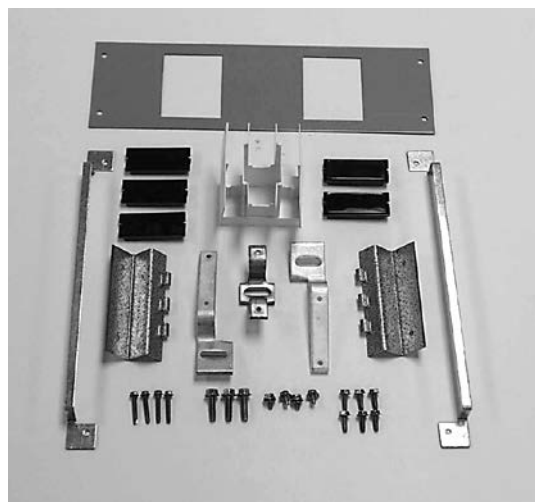
Devices	Circuits or poles	Three-phase		Single-phase		Notes
		Catalog number	Phase	Catalog number	Phase	
BA, BAB, QBGF, QBH, QBHGF, QBGFEP, QBHGFEP	6	KPRL3XBA06	A/B/C	KPRL3XBA06-1	A/C	(2) 100 A devices maximum
	12	KPRL3XBA12	A/B/C	KPRL3XBA12-1	A/C	
	18	KPRL3XBA18	A/B/C	KPRL3XBA18-1	A/C	
	24	KPRL3XBA24	A/B/C	KPRL3XBA24-1	A/C	
GB, GHB, GHQ, GHBS	6	KPRL3XGB06	A/B/C	KPRL3XGB06-1	A/C	
	12	KPRL3XGB12	A/B/C	KPRL3XGB12-1	A/C	
	18	KPRL3XGB18	A/B/C	KPRL3XGB18-1	A/C	
	24	KPRL3XGB24	A/B/C	KPRL3XGB24-1	A/C	

Table 30. PRL3a horizontally mounted connector kit assemblies

Devices	Circuits or poles	Three-phase		Single-phase		Notes
		Catalog number	Phase	Catalog number	Phase	
BA, BAB, QBGF, QBH, QBHGF, QBGFEP, QBHGFEP	6	KPRL3ABA06	A/B/C	KPRL3ABA06-1	A/C	(2) 100 A devices maximum
	12	KPRL3ABA12	A/B/C	KPRL3ABA12-1	A/C	
	18	KPRL3ABA18	A/B/C	KPRL3ABA18-1	A/C	
	24	KPRL3ABA24	A/B/C	KPRL3ABA24-1	A/C	
GB, GHB, GHQ, GHBS	6	KPRL3AGB06	A/B/C	KPRL3AGB06-1	A/C	
	12	KPRL3AGB12	A/B/C	KPRL3AGB12-1	A/C	
	18	KPRL3AGB18	A/B/C	KPRL3AGB18-1	A/C	
	24	KPRL3AGB24	A/B/C	KPRL3AGB24-1	A/C	



KPRL3ABA06



KPRL3AGB06

PRL3X, PRL3a, PDG2, F-Frame horizontally mounted connector kit assemblies

Connector kits contain phase connectors, deadfront cover, hardware, and instructions to mount breakers. Order breakers separately when ordering connector kit.

Table 31. PRL3X, PDG2 Frame horizontally mounted connector kit assemblies

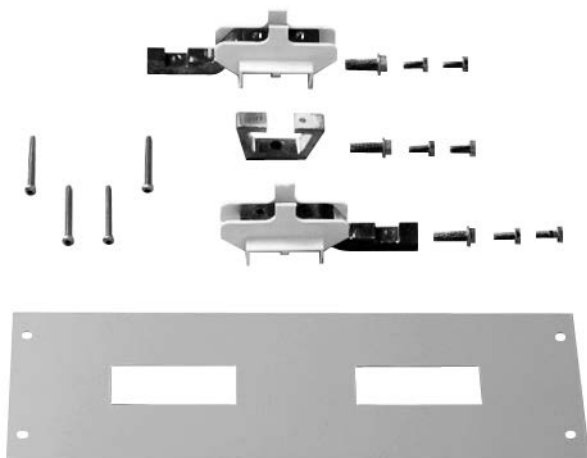
Devices	Circuits or poles	Three-phase		Single-phase		Notes
		Catalog number	Phase	Catalog number	Phase	
PDG2 (175–225 A single mount) ①	Three-pole breaker	KPRL3X23	A/B/C	—	—	(1) 225 A maximum single mounted
	Two-pole breaker	KPRL3X22	A/C	KPRL3X22	A/C	
PDG2 (150 A maximum twin mount)	Three-pole breaker	KPRL3X23T	A/B/C	—	—	(2) 150 A devices maximum
	Two-pole breaker	KPRL3X22T	A/C	KPRL3X22T	A/C	
	Single-pole breaker	KPRL3X21T	A/C	KPRL3X21T	A/C	

① PDG2 Frame devices rated above 150 A must be single mounted. No twin mounting acceptable.

Table 32. PRL3a F-Frame horizontally mounted connector kit assemblies

Devices	Circuits or poles	Three-phase		Single-phase		Notes
		Catalog number	Phase	Catalog number	Phase	
EHD, FD, FDB, HFD, FDC (150 A maximum twin mount)	Three-pole breaker	KPRL3AFD3	A/B/C	—	—	(2) 150 A devices maximum
	Two-pole breaker	KPRL3AFD2	A/C	KPRL3AFD2	A/C	
	Single-pole breaker	KPRL3AFD1	A/C	KPRL3AFD1	A/C	
FD, HFD, FDC, ED, EDH, EDC (175–225 A single mount) ①	Three-pole breaker	KPRL3AED3	A/B/C	—	—	(1) 225 A maximum single mounted
	Two-pole breaker	KPRL3AED2	A/C	KPRL3AED2	A/C	

① PDG2-Frame devices rated above 150 A must be single mounted. No twin mounting acceptable.



KPRL3AFD3

PRL3X, PRL3a ground assemblies

Table 33. PRL3X, PRL3a ground assemblies

Material	Standard	Isolated
	Catalog number	
Aluminum/copper	5158C05G02	2C11296G02
Copper only	5158C05G04	2C11296G04



5158C05G02

PRL3X, PRL3a service entrance bonding jumper kits

Table 34. PRL3X, PRL3a service entrance bonding jumper kits

Style number ①	Panel ampere rating	Tin-plated aluminum	Bare copper	Silver-plated copper	Tin-plated copper
		Item number			
Mechanical main lugs or main breakers					
5078A98	100	G01	G02	G03	G04
	250-600	G13	G14	G15	G16
Crimp main lugs					
5078A98	100	G05	G06	G07	G08
	250-600	G17	G18	G19	G20
Copper main lugs					
5078A98	100	G09	G10	G11	G12
	250-600	G21	G22	G23	G24

① When ordering, use complete style number (example: 100 A tin-plated aluminum 5078A98G01).



5078A98G01

PRL3X, PRL3a service entrance main breaker kits

Table 35. PRL3X service entrance main breaker kits

Description	Circuit breaker frame	Catalog number
Service entrance barrier for PDF3/PDG3	PDF3/PDG3	PRLSEBPD3
Service entrance barrier for PDG2	PDG2	PRLSEBPD2
Service entrance barrier for GHB	GHB	PRLSEBGHB

Table 36. PRL3a service entrance main breaker kits

Description	Circuit breaker frame	Catalog number
Service entrance barrier for LG and KD	LG/KD PDF3/PDG3	PRLSEBLGKD
Service entrance barrier for JD	JD	PRLSEBJD
Service entrance barrier for FD	FD PDG2	PRLSEBFD
Service entrance barrier for GHB	GHB	PRLSEBGHB



SE Barrier Kit FD_016

PRL3X, PRL3a deadfront covers

Table 37. Assembly ①

Style number ②	Chassis height/item number				
	14X	23X	31X	40X	53X
6559C59	G01	G02	G03	G04	G05

① Assembly groups include the frame only (two rails and two end covers). Reference **page 29** for specific device covers. All connector kits ship with a deadfront cover for that device.

② When ordering, use complete style number (example: 14X high assembly 6559C59G01).



6559C59G01

PRL3X, PRL3a vertical devices deadfront covers

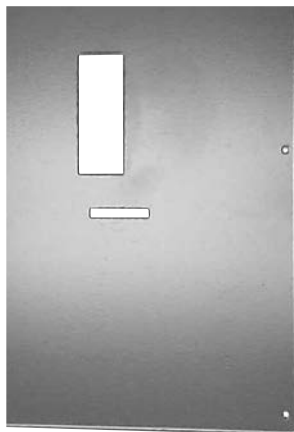
Table 38. PRL3X vertical devices deadfront covers

Device/frame	Trip unit type	Style number ①	"X" space required	Item number	
				Without lock-offs ①	With lock-offs ①
PDG2xF, PDG2xG, PDG2xM, PDG2xP, PDD2xG, PDD2xM, PDD2xP, (top) ②	—	42C8076	7X	H01	H01
PDG2xF, PDG2xG, PDG2xM, PDG2xP, PDD2xG, PDD2xM, PDD2xP, (bottom) ②	—	42C8076	7X	H02	H02
PDG2xG, PDG2xM, PDG2xP, PDD2xG, PDD2xM, (top) ③	—	42C8077	10X	H01	H01
PDG2xG, PDG2xM, PDG2xP, PDD2xG, PDD2xM (bottom) ③	—	42C8077	10X	H02	H02
PDG3 400A (top)	Thermal-magnetic	42C7980	15X	H01	H01
PDG3 400 A (bottom)	PXR	42C7980	15X	H02	H02
PDG3 600 A (top)	Thermal-magnetic	42C8055	18X	H01	N/A
PDG3 600 A (bottom)	PXR	42C8055	18X	H02	N/A
Neutral/blank cover	—	4176B72	1X	H01	—
			2X	H02	—
			3X	H03	—
			4X	H04	—
			5X	H05	—
			6X	H06	—
			7X	H07	—
			8X	H08	—
			9X	H09	—
			10X	H10	—
			11X	H11	—
			12X	H12	—

① When ordering covers, order complete style and item numbers (example: 4176B68H01).

② 4/0 maximum acceptable terminal size.

③ 300 kcmil maximum acceptable terminal size.



J main 4176B60H04



Neutral blank cover 4176B72H04

Table 39. PRL3a vertical devices deadfront covers

Device/frame	Trip unit type	Style number ①	"X" space required	Item number	
				Without lock-offs ①	With lock-offs ①
EHD, FD, FDB, HFD, FDC, ED, EDH, EDC (top) ②	—	42C8076	7X	H01	H01
EHD, FD, FDB, HFD, FDC, ED, EDH, EDC (bottom) ②	—	42C8076	7X	H02	H02
FD, HFD, FDC, ED, EDH (top) ③	—	42C8077	10X	H01	H01
FD, HFD, FDC, ED, EDH (bottom) ③	—	42C8077	10X	H02	H02
J-Frame (bottom)	—	4176B60	14X	H01	H02
J-Frame (top)	—	4176B60	14X	H03	H04
K-Frame (bottom)	Thermal-magnetic	4176B61	15X	H01	H02
K-Frame (bottom)	Electronic	4176B61	15X	H03	H04
K-Frame (top)	Thermal-magnetic	4176B61	15X	H05	H06
K-Frame (top)	Electronic	4176B61	15X	H07	H08
L-Frame (bottom)	Thermal-magnetic	4176B51	17X	H01	H02
L-Frame (bottom)	Electronic	4176B51	17X	H03	H04
L-Frame (top)	Thermal-magnetic	4176B51	17X	H05	H06
L-Frame (top)	Electronic	4176B51	17X	H07	H08
FB-P (top only)	—	4176B70	9X	H02	H02
LA-P (top only)	—	4176B57	21X	H01	H01
FCL	—	4176B70	9X	H01	H01
LCL (top)	—	4176B56	21X	H01	H02
LCL (bottom)	—	4176B56	21X	H03	H04
Neutral/blank cover	—	4176B72	1X	H01	—
	—	4176B72	2X	H02	—
	—	4176B72	3X	H03	—
	—	4176B72	4X	H04	—
	—	4176B72	5X	H05	—
	—	4176B72	6X	H06	—
	—	4176B72	7X	H07	—
	—	4176B72	8X	H08	—
	—	4176B72	9X	H09	—
	—	4176B72	10X	H10	—
	—	4176B72	11X	H11	—
	—	4176B72	12X	H12	—
J-Frame sub-feed twin bottom	—	4176B79	20X	H01	H02 (2 L/O)
	—	4176B79	20X	H01	H03 (1 L/O RT)
	—	4176B79	20X	H01	H04 (1 L/O LT)
	—	4176B79	20X	H01	H04 (1 L/O LT)
J-Frame sub-feed twin top	—	4176B79	20X	H05	H05 (2 L/O)
	—	4176B79	20X	H05	H07 (1 L/O RT)
	—	4176B79	20X	H05	H08 (1 L/O LT)
Bolt switch					
PT363 (switch, pullout, 100 A maximum) (top)	—	4180B79	7X	H01	—
PT363 (switch, pullout, 100 A maximum) (bottom)	—	4180B79	7X	H02	—
PT364 (switch, pullout, 200 A maximum) (top)	—	4180B79	9X	H03	—
PT364 (switch, pullout, 200 A maximum) (bottom)	—	4180B79	9X	H04	—

① When ordering covers, order complete style and item numbers (example: 4176B68H01).

② 4/0 maximum acceptable terminal size.

③ 300 kcmil maximum acceptable terminal size.

Effective April 2021

PRL3X, PRL3a horizontal devices deadfront covers**Table 40. PRL3X horizontal mounting position**

Device/frame	Device poles	Style number ①	Total circuit quantity	"X" space required	Item number
PDG2 (twin mounted)	1, 2 or 3	42C8078	6	3X	H01
			12	6X	H02
			18	9X	H03
			24	12X	H04
			30	15X	H05
			36	18X	H06
			42	21X	H07
			48	24X	H08
PDG2 (twin mounted)	1 or 2	42C8079	4	2X	H01
			8	4X	H02
			12	6X	H03
			16	8X	H04
			20	10X	H05
			24	12X	H06
			28	14X	H07
			32	16X	H08
PDG2 (twin mounted)	1	42C8080	2	1X	H01
PDG2 (single mounted)	2	42C8081	2	2X	H01
PDG2 (single mounted)	3	42C8082	3	3X	H01
BA, BAB, BABRP, BABRSP, QBH, QBGF, QBGFEP, QBHGFEP	1, 2 or 3	4176B67	6	3X	H01
			12	5x	H02
			18	8x	H03
			24	10x	H04
GB, GHB, GHBS, GHBGFEP, HGHB, GHQ	1, 2 or 3	4176B69	6	3X	H01
			12	5x	H02
			18	8X	H03
			24	10X	H04
Pow-R-Command Controller	—	4180B91	—	5X	H01
Pow-R-Command Expansion	—	4180B91	—	7X	H02
			—	16X	H03

① When ordering covers, order complete style and item number (example: 4178B08H01).

Table 41. PRL3a horizontal mounting position

Device/frame	Device poles	Style number ①	Total circuit quantity	"X" space required	Item number
EHD, FD, FDB, HFD, FDC (twin mounted)	1, 2 or 3	42C8078	6	3X	H01
			12	6X	H02
			18	9X	H03
			24	12X	H04
			30	15X	H05
			36	18X	H06
			42	21X	H07
			48	24X	H08
EHD, FD, FDB, HFD, FDC (twin mounted)	1 or 2	42C8079	4	2X	H01
			8	4X	H02
			12	6X	H03
			16	8X	H04
			20	10X	H05
			24	12X	H06
			28	14X	H07
			32	16X	H08
EHD, FD, FDB, HFD, FDC (twin mounted)	1	42C8080	2	1X	H01
FD, HFD, FDC, ED, EDH, EDC (single mounted)	2	42C8081	2	2X	H01
FD, HFD, FDC, ED, EDH, EDC (single mounted)	3	42C8082	3	3X	H01
CA, CAH, HCA	3	4176B66	3	3X	H01
CA, CAH, HCA	2	4176B80	2	2X	H01
BA, BAB, BABRP, BABRSP, QBH, QBGF, QBGFEP, QBHGFEP	1, 2 or 3	4176B67	6	3X	H01
			12	5X	H02
			18	8X	H03
			24	10X	H04
GB, GHB, GHBS, GHBGFEP, HGHB, GHQ	1, 2 or 3	4176B69	6	3X	H01
			12	5X	H02
			18	8X	H03
			24	10X	H04
Pow-R-Command Controller	—	4180B91	—	5X	H01
Pow-R-Command Expansion	—	4180B91	—	7X	H02
				16X	H03

① When ordering covers, order complete style and item number (example: 4178B08H01).

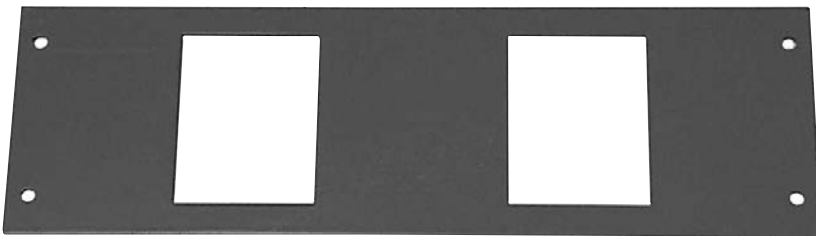
PRL3X, PRL3a deadfront cover blank fillers

Table 42. PRL3X deadfront cover blank fillers

Device/frame	Poles	Style number
PDG2	1, 2 or 3	42C8083H01
QUICKLAG, GB, GHB, GHBS	1, 2 or 3	5155C62H01

Table 43. PRL3a deadfront cover blank fillers

Device/frame	Poles	Style number
F-Frame	1, 2 or 3	42C8083H01
C-Frame	2	6555C40H01
C-Frame	3	6555C41H01
QUICKLAG, GB, GHB, GHBS	1, 2 or 3	5155C62H01



BAB Cover 4176B67H01

PRL4X, PRL4 parts section

Description	Page
Vented cover assemblies	31
Blank covers	32
Breaker connector kits	32
Fusible connector kits	34
Breaker and fusible switch retrofit kits	34-35
PRL4 special trims and enclosures	38

PRL4 vented cover assemblies

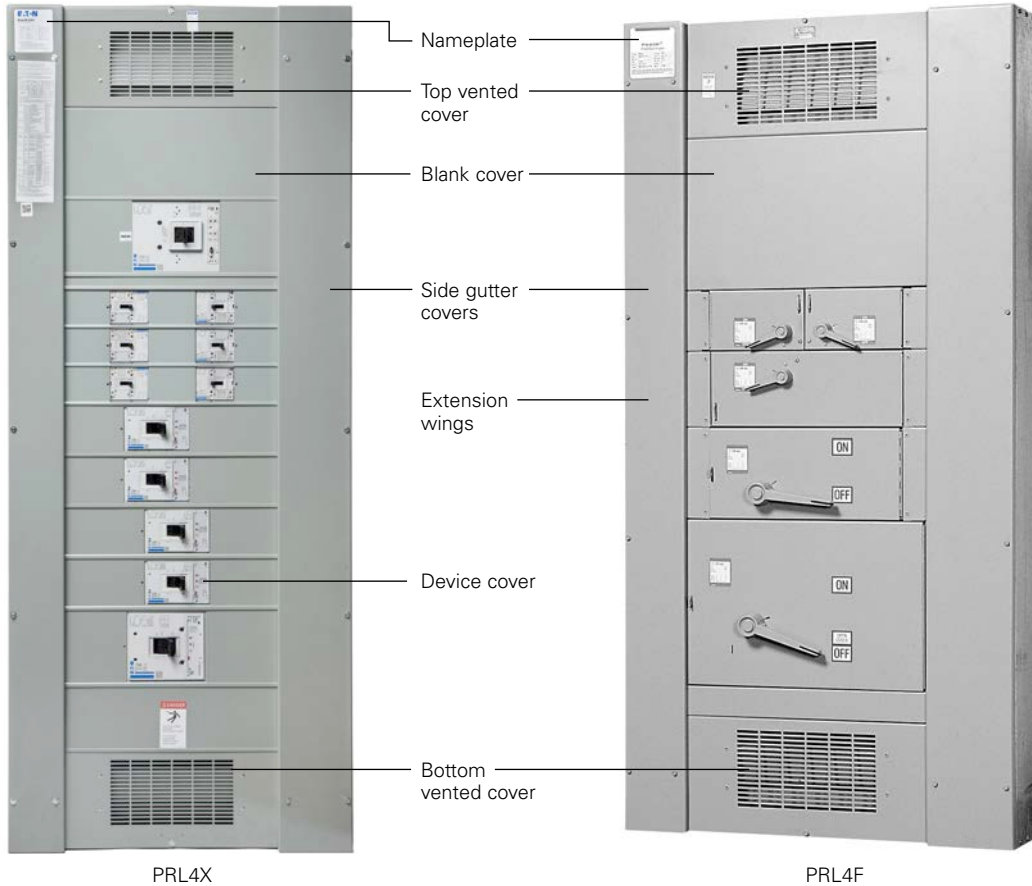


Table 44. Vented cover assemblies and side gutter covers—dimensions in inches (mm)

NEMA 1 box					Side gutter covers			
Height	Width	Depth ①	Catalog number	Vented cover assembly style number ②	Left		Right	
					Size	Style number	Size	Style number
57.00 (1447.8)	24.00 (609.6)	10.40 (264.2)	BX2457	6574C74G02	5.00 (127.0) x 57.00 (1447.8)	6555C20H01	5.00 (127.0) x 57.00 (1447.8)	6555C20H01
73.00 (1854.2)	24.00 (609.6)		BX2473	6574C74G03	5.00 (127.0) x 73.00 (1854.2)	6555C21H01	5.00 (127.0) x 73.00 (1854.2)	6555C21H01
90.00 (2286.0)	24.00 (609.6)		BX2490	6574C74G04	5.00 (127.0) x 90.00 (2286.0)	6555C25H01	5.00 (127.0) x 90.00 (2286.0)	6555C25H01
73.00 (1854.2)	36.00 (914.4)		BX3673	6574C74G05	6.00 (152.4) x 73.00 (1854.2)	6555C22H01	8.00 (203.2) x 73.00 (1854.2)	6555C23H01
90.00 (2286.0)	36.00 (914.4)		BX3690	6574C74G06	6.00 (152.4) x 90.00 (2286.0)	6555C26H01	8.00 (203.2) x 90.00 (2286.0)	6555C27H01
73.00 (1854.2)	44.00 (1117.6)		BX4473	6574C74G05	8.00 (203.2) x 73.00 (1854.2)	6555C23H01	14.00 (355.6) x 73.00 (1854.2)	6555C24H01
90.00 (2286.0)	44.00 (1117.6)		BX4490	6574C74G06	8.00 (203.2) x 90.00 (2286.0)	6555C27H01	14.00 (355.6) x 90.00 (2286.0)	6555C28H01

① Covers add 0.90 inches (22.9 mm) to box depth for overall enclosure depth of 11.30 inches (287.0 mm).

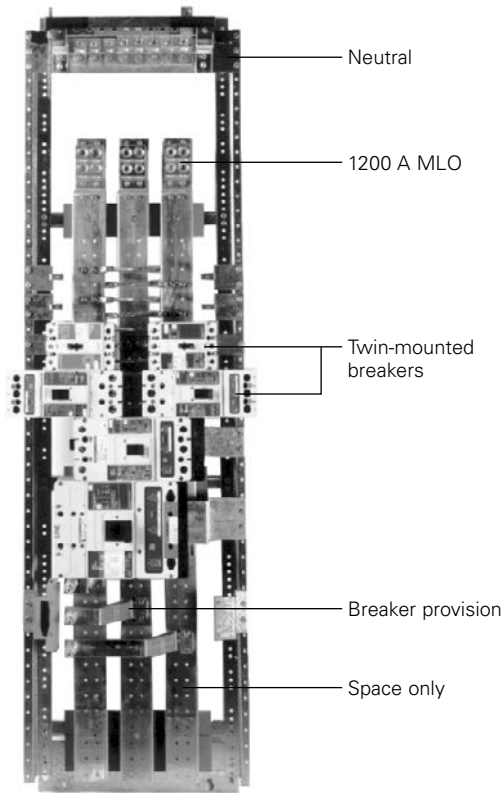
② Cover assembly consists of two side rails, top and bottom vented covers. **Important:** Order individual device covers and blanks separately.

PRL4 blank covers

Used to cover blank space on chassis. All PRL4X and PRL4 cover heights are measured in "X" units. 1X equals 1.38 inches (35.1 mm).

Table 45. PRL4 blank covers

Cover size	Style number	
	24.00-inch (609.6 mm) width box	36.00, 44.00-inch (914.4, 1117.6 mm) width box
1X	6554C01H01	6554C02H01
2X	6554C01H02	6554C02H02
3X	6554C01H03	6554C02H03
4X	6554C01H13	6554C02H13
5X	6554C01H14	6554C02H14
6X	6554C01H04	6554C02H04
7X	6554C01H05	6554C02H05
9X	6554C01H06	6554C02H06
10X	6554C01H07	6554C02H07
11X	6554C01H08	6554C02H08
12X	6554C01H09	6554C02H09
13X	6554C01H10	6554C02H10
15X	6554C01H11	6554C02H11
20X	6554C01H12	6554C02H12



PRL4B Interior

PRL4 breaker connector kits

Breaker connector kits

Each kit includes copper connectors, mounting brackets, covers, hardware, and instructions for mounting breaker(s) in a PRL4X and PRL4. **Breakers are not included.** Contact your local satellite plant for availability and application information (see **page 3**).

Connector kit

Each kit includes copper connectors mounting brackets, cover, hardware, and instructions.

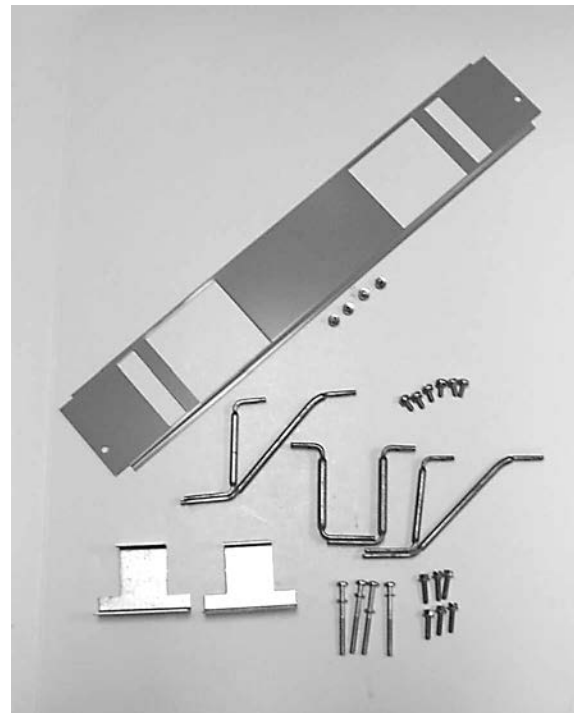
Table 46. PRL4 breaker connector kits

Breaker frame	Space required		Number of poles	Mounting type	Connector kit catalog number
	Inches (mm)	"X"			
PDG2	2.75 (69.9)	2X	1 ①	Twin	KPRL4X12
			2	Twin	KPRL4X22
PDG2	4.13 (104.9)	3X	3	Twin	KPRL4X32
PDG3 (400 A Frame) (single mtg)	5.50 (139.7)	4X	3	Single	KPRL4X334S ②
PDG3 (400 A Frame) (twin mtg)	5.50 (139.7)	4X	3	Twin	KPRL4X334T ③
PDG3 (600 A Frame)	5.50 (139.7)	4X	3	Single	KPRL4X336 ②
PDG4	8.25 (209.6)	6X	3	Single	KPRL4X34 ②
PDG5	8.25 (209.6)	6X	3	Single	KPRL4X35 ②

① Two sets of twin-mounted single-pole breakers.

② 36.00-inch (914.4 mm) minimum box width required.

③ 44.00-inch (1117.6 mm) box width required.



Connector kit

Table 47. PRL4 breaker connector kits

Breaker frame	Space required		Number of poles	Mounting type	Connector kit catalog number
	Inches (mm)	"X"			
EHD/FDB/FD/HFD/FDC	2.75 (69.9)	2X	1 ①	Twin	KPRL4X12
EHD/FDB/FD/HFD/FDC/ED/EDH/EDC/EHD/FDB/FD/HFD/FDC/FDB	2.75 (69.9)	2X	2	Twin	KPRL4X22
ED/EDH/EDC /FDE/HFDE/FDCE	4.13 (104.9)	3X	3	Twin	KPRL4X32
ED/EDH/EDC/EDB/EDS	4.13 (104.9)	3X	3	Twin	KPRL4X32
FD current limiter (available in single mounting only)	4.13 (104.9)	3X	3	Single	KPRL4FDCL
CA/CAH/HCA	2.75 (69.9)	2X	2	Twin	KPRL4CA ②
CA/CAH/HCA	4.13 (104.9)	3X	3	Twin	KPRL4CA
JD, JDB, HJD, JDC	4.13 (104.9)	3X	2, 3	Single	KPRL4JDS
JD, JDB, HJD, JDC	4.13 (104.9)	3X	2, 3	Twin	KPRL4JDT ②
FCL, FB-P, FD/LFD	4.13 (104.9)	3X	3	Twin	KPRL4FBP
DK, KD, KDB, HKD, KDC	5.50 (139.7)	4X	2, 3	Single	KPRL4KDS ②
DK, KD, KDB, HKD, KDC	5.50 (139.7)	4X	2, 3	Twin	KPRL4KDT ③
LC/LCY/HLC/LD/HLD/LDC/LDB [LA]	8.25 (209.6)	6X	3	Single	KPRL4LC ②
LGE/LGS/LGHLGC/LGU	8.25 (209.6)	6X	3	Single	KPRL4X336 ②
LHH	5.50 (139.7)	4X	3	Single	KPRL4LG ②
MDS/MC/MCY/HMC [MA/HMA]	8.25 (209.6)	6X	3	Single	KPRL4MC ②
MDL/HMDL	8.25 (209.6)	6X	3	Single	KPRL4X34 ②
LA-P	8.25 (209.6)	6X	3	Single	KPRL4LAP ②
LCL	8.25 (209.6)	6X	3	Single	KPRL4LCL ②
NB-P	8.25 (209.6)	6X	3	Single	KPRL4NBP ②
NC/NCY/HNC [NB/HNB]	8.25 (209.6)	6X	3	Single	KPRL4NC ②
ND/HND/NDC/NGS/NGH/NGC	8.25 (209.6)	6X	3	Single	KPRL4X35 ②
NHH	8.25 (209.6)	6X	3	Single	KPRL4ND ②
100% rated breakers					
CKD/CHKD/CKDC	5.50 (139.7)	4X	3	Single	KPRL4CKD ③④
CLD/CHLD/CLDC	8.25 (209.6)	6X	3	Single	KPRL4LC ③④
LCC/HLCC	8.25 (209.6)	6X	3	Single	KPRL4LC ③④
MCC/HMCC	8.25 (209.6)	6X	3	Single	KPRL4MC ③④
MDSC	8.25 (209.6)	6X	3	Single	KPRL4MC ③④
CMDL/CHMDL	8.25 (209.6)	6X	3	Single	KPRL4MD ③④
CND/CHND/CNDC/NGS-C/NGH-C/NGC-C	8.25 (209.6)	6X	3	Single	KPRL4CND ③④

① Two sets of twin-mounted single-pole breakers.

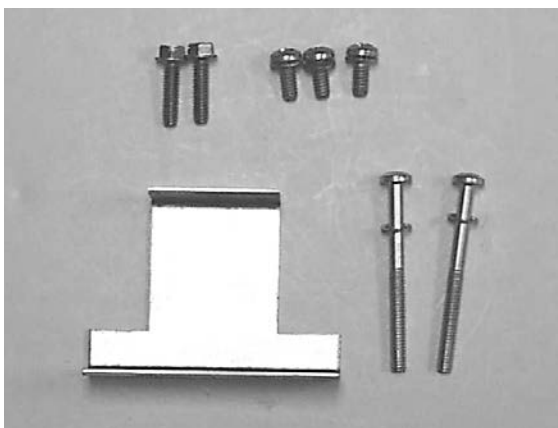
② 36.00-inch (914.4 mm) minimum box width required.

③ 44.00-inch (1117.6 mm) box width required.

④ Requires density rated bus in existing panel chassis.

Hardware kit

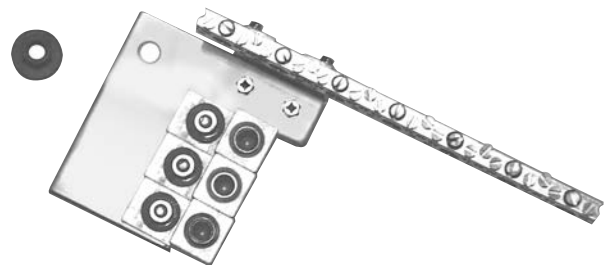
Each kit includes mounting bracket(s) and mounting hardware only. Use the appropriate connector kit catalog number and add an "H" to designate hardware only (example: KPRL4X32-H).



Hardware kit

Standard ground bus

Copper bus with (3) 6–300 kcmil lugs plus a 24-circuit terminal bar with #14–1/0 wire range.



6572C746G01

PRL4 fusible connector kits

Fusible switch connector kits

Each kit includes copper connectors, extension wings (when required), hardware, and instructions to mount a fusible switch. Switches are not included. Contact your local satellite plant for availability and application information (see [page 3](#)).

Table 48. Fusible switch connector kits

Switch height			Three-pole switch		
Inches (mm)	"X" space required	Switch ampere rating	240 V	600 V	Connector kit
			Catalog number		
5.50 (139.7)	4X	30–30	FDPWT3211R	FDPWT3611R	—
		60–60	FDPWT3222R	FDPWT3622R	KPRL44X ①
		100–100	FDPWT3233R	—	—
6.88 (174.8)	5X	100–100	—	FDPWT3633R	KPRL45X1
8.25 (209.6)	6X	200	FDPBS324R	FDPBS364R	KPRL4B6XS
		200–200	FDPBT3244R	FDPBT3644R	KPRL4B6XT ②
12.38 (314.5)	9X	400	FDPW325R	FDPW365R	KPRL4W9X
15.13 (384.3)	11X	600	FDPW326R	FDPW366R	KPRL4W11X
		800	FDPW327	FDPW367	KPRL4W11X ②
20.63 (524.0)	15X	1200	FDPW328	FDPW368	KPRL4W15X ②

① These connector kits will fit the FDP and FDPW switches.

② 44.00-inch (1117.6 mm) box width required for both R and J fuse applications.

PRL4 breaker and fusible switch retrofit kits

Breaker retrofit kits

Each kit includes one breaker, copper connectors, covers, hardware, and instructions to mount in a PRL4X and PRL4.

Table 49. PRL4X breaker retrofit kits

Breaker frame	Frame ampere rating	Trip range	Mounting type
PG2	100	15–100	Twin
PG2	150	110–150	Twin
PG2/PD2	225	110–225	Twin
PD3/PG3	400	100–400	Twin/single
PG3/PF3	600	300–600	Single
PG4/PF4	800	300–800	Single
PG5/PF5	1200	600–1200	Single

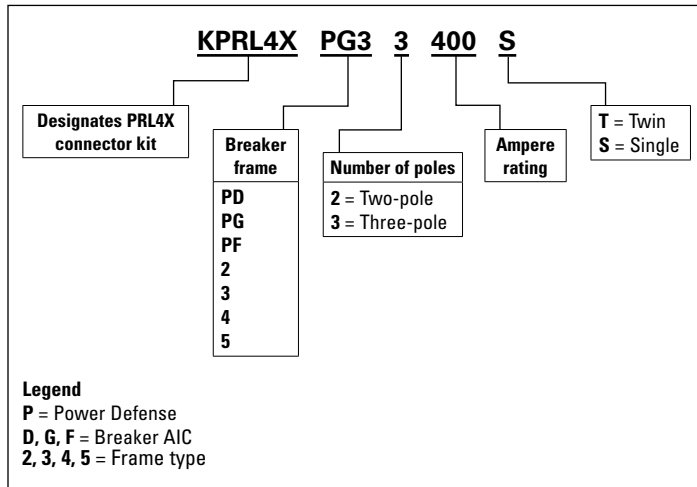
Table 50. PRL4 breaker retrofit kits

Breaker frame	Frame ampere rating	Trip range	Mounting type
EHD	100	15–100	Twin
FDB		15–100	Twin
FD	150	15–100	Twin
HFD		15–100	Twin
FDC	225	15–100	Twin
FCL		15–100	Twin
FB-P	400	15–100	Twin
FDB		110–150	Twin
FD	600	110–225	Twin
HFD		110–225	Twin
FDC	800	110–225	Twin
ED		100–225	Twin
EDH	1200	100–225	Twin
EDC		100–225	Twin
JD	250	70–250	Twin/single
HJD		70–250	Twin/single
JDC		70–250	Twin/single
DK	400	100–400	Twin/single
KD		100–400	Twin/single
HKD		100–400	Twin/single
KDC	600	100–400	Twin/single
CKD		100–400	Single
LCL		125–400	Single
LA-P	800	70–400	Single
LD		300–600	Single
CLD		300–600	Single
HLD	1200	300–600	Single
CHLD		300–600	Single
LDC		300–600	Single
CLDC	800	300–600	Single
MDL		300–800	Single
CMDL		300–800	Single
HMDL	1200	300–800	Single
CHMDL		300–800	Single
ND		600–1200	Single
CND	800	600–1200	Single
HND		600–1200	Single
CHND		600–1200	Single
NDC	1200	600–1200	Single
CNDC		600–1200	Single

How to order a breaker retrofit kit by catalog number

Use “KPRL4” prefix and add catalog number of breaker as shown below. Use suffix “T” or “S” to denote twin or single mounting. Twin-mounting indicates that one set of connectors is required to mount two breakers (of similar frames) opposite one another. Retrofit kit includes one breaker only, for either single or twin-mounted applications.

Table 51. Catalog numbering system—breaker retrofit kit



Fusible retrofit kits

Each kit includes a three-pole switch, copper connectors, extension wings (if required), hardware, and instructions to horizontally mount in a PRL4.

Table 52. Fusible retrofit kits

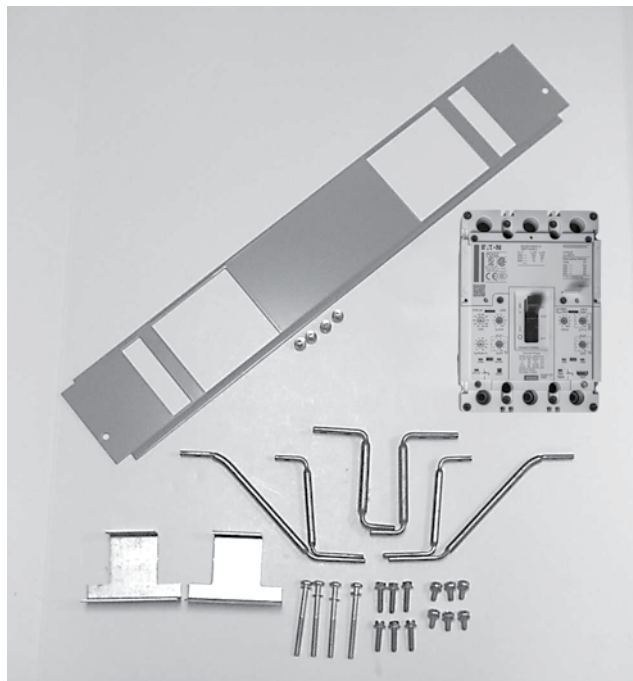
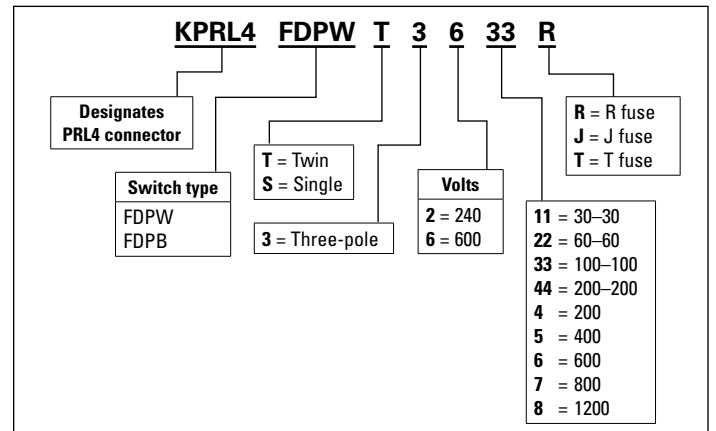
Switch ampere rating	Switch type	Mounting type
30–30	FDPW	Twin
60–60	FDPW	Twin
100–100	FDPW	Twin
100	FDPW	Single
200	FDPB	Single
200–200	FDPB	Twin
400	FDPW	Single
600	FDPW	Single
800	FDPW	Single
1200	FDPW	Single

How to order a fusible retrofit kit by catalog number

Use “KPRL4” prefix and add catalog number of appropriate switch (refer to **page 34** for three-pole switch catalog number).

Example: The retrofit kit catalog number for a 600 V, 100 A twin FDPW switch is:

Table 53. Catalog numbering system—fusible retrofit kit



PRL4 breaker retrofit kits

Accessories

PRL1X, PRL2X, PRL3X, PRL1a, PRL2a, PRL3a EZ Trim and enclosures

EZ Trim

PRL1X, PRL2X, PRL3X, PRL1a, PRL2a, and PRL3a EZ Trim and EZ Box™ meet code requirements for both Type 1 standards. Features include a door-in-door standard with no exposed hardware and laser-cut trim with rounded corners. For EZ Box and EZ Trim, refer to **page 37**.

Example: EZT2048 and EZB2048.



EZ Trim

Table 54. EZ Trim

Encl. height	Box				Trim							
	Unpainted		Painted		Unvented surface mounted		Unvented flush mounted		Vented surface mounted		Vented flush mounted	
	Catalog number	Style number	Catalog number	Style number	Catalog number	Style number	Catalog number	Style number	Catalog number	Style number	Catalog number	Style number
24	EZB2024R	42C1999G01	EZBP2024R	42C1999G13	EZT2024S	42C4255G01	EZT2024F	42C4258G01	EZTV2024S	42C4261G01	EZTV2024F	42C4264G01
30	EZB2030R	42C1999G02	EZBP2030R	42C1999G14	EZT2030S	42C4255G02	EZT2030F	42C4258G02	EZTV2030S	42C4261G02	EZTV2030F	42C4264G02
36	EZB2036R	42C1999G03	EZBP2036R	42C1999G15	EZT2036S	42C4255G03	EZT2036F	42C4258G03	EZTV2036S	42C4261G03	EZTV2036F	42C4264G03
42	EZB2042R	42C1999G04	EZBP2042R	42C1999G16	EZT2042S	42C4255G04	EZT2042F	42C4258G04	EZTV2042S	42C4261G04	EZTV2042F	42C4264G04
48	EZB2048R	42C1999G05	EZBP2048R	42C1999G17	EZT2048S	42C4255G05	EZT2048F	42C4258G05	EZTV2048S	42C4261G05	EZTV2048F	42C4264G05
54	EZB2054R	42C1999G06	EZBP2054R	42C1999G18	EZT2054S	42C4255G06	EZT2054F	42C4258G06	EZTV2054S	42C4261G06	EZTV2054F	42C4264G06
60	EZB2060R	42C1999G07	EZBP2060R	42C1999G19	EZT2060S	42C4255G07	EZT2060F	42C4258G07	EZTV2060S	42C4261G07	EZTV2060F	42C4264G07
72	EZB2072R	42C1999G09	EZBP2072R	42C1999G21	EZT2072S	42C4255G09	EZT2072F	42C4258G09	EZTV2072S	42C4261G09	EZTV2072F	42C4264G09
90	EZB2090R	42C1999G12	EZBP2090R	42C1999G24	EZT2090S	42C4255G12	EZT2090F	42C4258G12	EZTV2090S	42C4261G12	EZTV2090F	42C4264G12

PRL1X, PRL2X, PRL3X, PRL1a, PRL2a, PRL3a special trims and enclosures

Fastrim

Used when concealed trim-mounting hardware is required for PRL1X, PRL2X, PRL3X, PRL1a, PRL2a, and PRL3a. Trim clamps are included and shipped with the trim. Order by adding the letter “F” to the standard trim catalog number. Add 20% to standard trim list price.

Example: LT2072S becomes **LTF2072S**.

For trim clamps only, refer to **page 21**.



Fastrim

Door-in-door

Piano hinge on the right side of the trim provides access to the wiring gutters without requiring removal of the trim. Order by adding the letters “DD” to the standard trim catalog number. Add 20% to standard trim list price.

Example: LT2072S becomes **LTDD2072S**.



Door-in-door

Ventilated trim

Required on 600 A and above panels only. Order by adding the letter “V” to the standard trim catalog number. Add 10% to standard trim list price.

Example: LT2072S becomes **LTV2072S**.



Ventilated trim

Type 12/3R enclosures

The complete enclosure consists of a box and trim. The enclosure meets code requirements for both Type 12 (dust-tight) and Type 3R (rainproof) standards. Features include a laser-cut trim with rounded corners, concealed hinges, and a T-handle lock. Gasketing is provided around the trim door.

The box is gasketed and made from code gauge steel with dripshield and is painted ANSI-61.

Table 55. Type 12/3R enclosures for PRL1X, PRL2X, PRL3X, PRL1a, PRL2a, PRL3a

Box dimensions in inches (mm)			Catalog number	
Height	Width	Depth	Box	Trim
24.00 (609.6)	20.00 (508.0)	6.00 (152.4)	VWPB2024	LWPT2024
36.00 (914.4)	20.00 (508.0)	6.00 (152.4)	VWPB2036	LWPT2036
48.00 (1219.2)	20.00 (508.0)	6.00 (152.4)	VWPB2048	LWPT2048
60.00 (1524.0)	20.00 (508.0)	6.00 (152.4)	VWPB2060	LWPT2060
72.00 (1828.8)	20.00 (508.0)	6.00 (152.4)	VWPB2072	LWPT2072
90.00 (2286.0)	20.00 (508.0)	6.00 (152.4)	VWPB2090	LWPT2090



Type 12/3R enclosures

PRL4 special trims and enclosures

Door-in-door trim



Door-in-door trim

A piano hinge on the right side of the trim provides access to the wiring gutter without requiring the removal of the trim. When used with a standard PRL4 box, a special mounting channel must be used to add extra depth to the enclosure.

An extra depth box, not requiring a mounting channel, is another available option. Contact your local satellite for ordering information.

Table 56. Special trims and enclosures

Standard box catalog number	Mounting channel style number	Door-in-door trim catalog number	
		Surface	Flush
BX2457	8708C82G02	LDD2457STW	LDD2457FTW
BX2473	8708C82G03	LDD2473STW	LDD2473FTW
BX2490	8708C82G04	LDD2490STW	LDD2490FTW
BX3673	8708C82G05	LDD3673STW	LDD3673FTW
BX3690	8708C82G06	LDD3690STW	LDD3690FTW
BX4473	8708C82G07	LDD4473STW	LDD4473FTW
BX4490	8708C82G08	LDD4490STW	LDD4490FTW

Type 12/3R enclosures



Type 12, 24.00 inches (609.6 mm) wide



Type 3R, 36.00 inches (914.4 mm) wide

PRL4 enclosures are available in both Type 12 (dust-tight) and Type 3R (rainproof) designs. The 24.00-inch (609.6 mm) wide enclosure includes a single hinged door while the 36.00-inch (914.4 mm) wide is provided with double hinged doors.

The side gutter covers are an integral part of the box in all styles. Sizes and catalog numbers are shown in **Table 57**.

Table 57. Type 12/3R enclosures

Enclosure dimensions in inches (mm)			Catalog number	
Height	Width	Depth	Type 3R	Type 12
57.00 (1447.8)	24.00 (609.6)	13.90 (353.1)	RPCB2457	DPC2457
73.00 (1854.2)	24.00 (609.6)	13.90 (353.1)	RPCB2473	DPC2473
90.00 (2286.0)	24.00 (609.6)	13.90 (353.1)	RPCB2490	DPC2490
73.00 (1854.2)	36.00 (914.4)	13.90 (353.1)	RPCB3673	DPC3673
90.00 (2286.0)	36.00 (914.4)	13.90 (353.1)	RPCB3690	DPC3690

Ordering procedure

Select the correct part or branch device. When selecting, you need to know the following:

- Panelboard type
- Amperage
- System voltage
- Available short-circuit rating
- Number of poles available
- Size and number of wires per phase
- "X" space required

PRL1X-LX, PRL2X-LX, PRL1a-LX, PRL2a-LX column panelboards

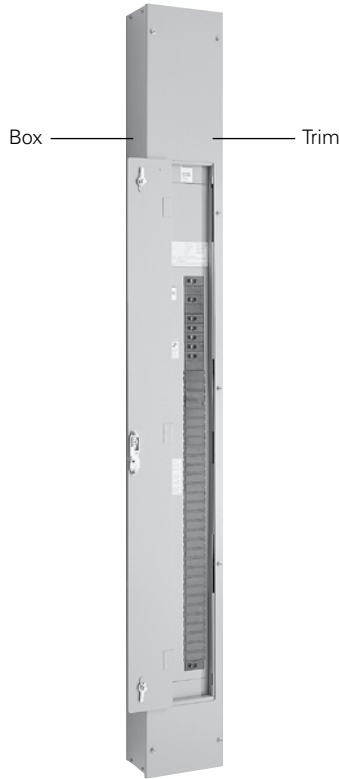


Table 58. Type 1 box and trims

Box height in inches (mm)	Catalog number		
	Box	Surface trim standard	Surface trim door-in-door
Incoming location top fed			
69.00 (1752.6)	YSC969	LTC969S	LTCD969S
78.00 (1981.2)	YSC978	LTC978S	LTCD978S
81.00 (2057.4)	YSC981	LTC981S	LTCD981S
90.00 (2286.0)	YSC990	LTC990S	LTCD990S
Incoming location bottom fed			
69.00 (1752.6)	YSC969	LTC969SB	LTCD969SB
78.00 (1981.2)	YSC978	LTC978SB	LTCD978SB
81.00 (2057.4)	YSC981	LTC981SB	LTCD981SB
90.00 (2286.0)	YSC990	LTC990SB	LTCD990SB

Pow-R-Command

For replacement parts, see PRL3X, PRL3a section, **page 21**. The following parts are available:

- Connector kits
- Ground assemblies
- Service entrance kits
- Deadfront covers
- Trim locks



Pow-R-Command

Additional services

Because virtually all panelboards are supplied to meet specific customer requirements, other parts not listed in this publication might occasionally be needed. Price and availability for parts not shown here may be obtained by contacting your local satellite plant and providing a complete description of the part along with the data on the panelboard nameplate.

Should you experience difficulty in determining what replacement parts are needed, contact your local satellite plant manager who can provide help to:

- Identify and recommend replacement parts
- Remove damaged parts and instruct you in how to install replacement parts
- Verify the correct connector kits that should be ordered for each circuit breaker or fusible switch
- Retrofit existing panelboard boxes with new Pow-R-Line interiors
- Provide a recommended spare parts list

Eaton
1000 Eaton Boulevard
Cleveland, OH 44122
United States
Eaton.com

© 2021 Eaton
All Rights Reserved
Printed in USA
Publication No. RP01400001E / Z25020
April 2021



Eaton is a registered trademark.
All other trademarks are property
of their respective owners.